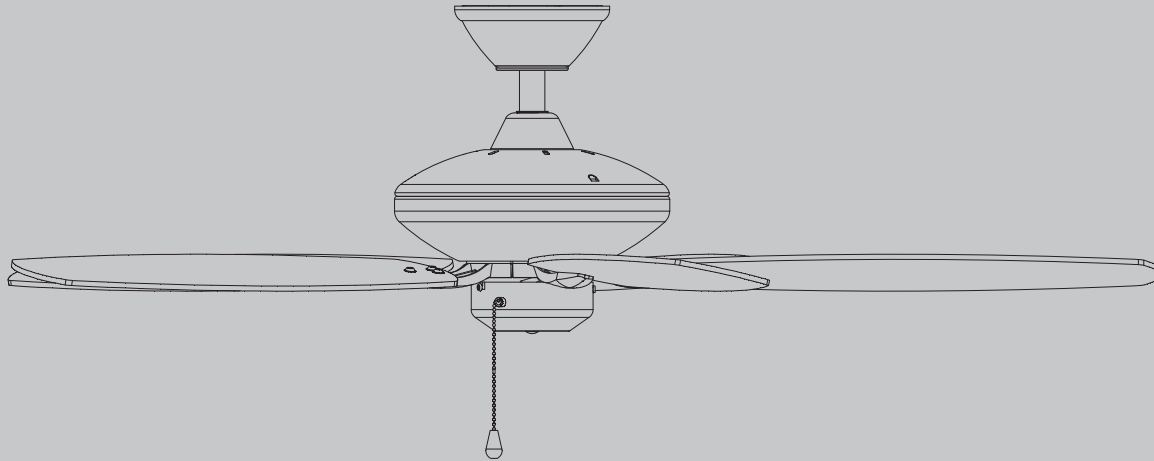


# KICHLER®

## 52" RENEW PATIO

Product images may vary slightly from actual product.



## INSTRUCTION MANUAL

READ AND SAVE THESE INSTRUCTIONS

UL Model #330165  
REV 02-APR-2021

Net Weight: 6.71 kgs (14.79 lbs)  
Gross weight: 7.80 kgs (17.20 lbs)

# TABLE OF CONTENTS

SAFETY RULES .....	4	FINISHING THE MOTOR INSTALLATION.....	13
CARE AND USE INSTRUCTIONS .....	5	ATTACHING THE FAN BLADES .....	14
TOOLS AND MATERIALS REQUIRED .....	6	INSTALLING THE SWITCH HOUSING .....	14
PACKAGE CONTENTS.....	6	OPERATING INSTRUCTIONS.....	15
MOUNTING OPTIONS.....	7	TROUBLESHOOTING .....	16
HANGING THE FAN.....	8	CEILING AND WALL FAN WARRANTY.....	17
INSTALLATION OF SAFETY SUPPORT .....	11		
ELECTRICAL CONNECTIONS .....	12		

Read all instructions BEFORE assembly and USE of product  
**KEEP INSTRUCTIONS FOR FUTURE USE**

## SAFETY RULES

1. **CAUTION -RISK OF SHOCK-**  
Disconnect Power at the main circuit breaker panel or main fusebox before starting and during the installation.
2. **WARNING:** This fixture is intended for installation in accordance with the National Electrical Code (NEC) and all local code specifications. If you are not familiar with code requirements, installation by a certified electrician is recommended.
3. **WARNING:** To reduce the risk of fire or electric shock, do not use this fan with any solid-state speed control device.
4. **WARNING:** To reduce the risk of fire, electric shock, or personal injury, mount to an outlet box marked "Acceptable For Fan Support of up to 22.7 kg (50 lbs)". For outlet box mounting, use mounting screws provided with the outlet box.
5. **WARNING:** To reduce the risk of fire, electric shock or personal injury, mount fan to outlet box marked "acceptable for fan support".
6. The outlet box and support structure must be securely mounted and capable of reliably supporting a minimum of 50 lbs. Use only cULus Listed outlet boxes marked "FOR FAN SUPPORT".
7. The fan must be mounted with a minimum of 2.1 m (7 feet) clearance from the trailing edge of the blades to the floor.
8. **WARNING:** Do not operate reversing switch while fan blades are in motion. Fan must be turned off and blades stopped before reversing blade direction.
9. Avoid placing objects in the path of the blades.
10. To avoid personal injury or damage to the fan and other items, be cautious when working around or cleaning the fan.
11. **WARNING:** Make sure the power is disconnected before cleaning the fan.
12. Do not use water or detergents when cleaning the fan or fan blades. A dry dust cloth or lightly dampened cloth will be suitable for most cleaning.
13. After marking electrical connections, spliced conductors should be turned upward and pushed carefully up into outlet box. The wires should be spread apart with the grounded conductor and the equipment-grounding conductor on one side of the outlet box and the ungrounded conductor on the other side of the outlet box.
14. Electrical diagrams are reference only. Light Kits that are not packed with the fan must be cULus Listed and marked suitable for use with the model fan you are installing. Switches must be cULus General Use Switches. Refer to the Instructions packaged with the light kits and switches for proper assembly. Use only with light kits marked "suitable for use in damp locations".
15. **WARNING:** To reduce the risk of personal injury, do not bend the blade brackets (also referred to as flanges) during assembly or after installation. Do not insert objects in the path of blades.
16. All set screws must be checked, and retightened where necessary, before installation.

## CARE AND USE INSTRUCTIONS

1. Read and understand these Care and Use Instructions and all installation instructions provided with this fixture, both front and back, before proceeding with assembly, installation, care and use of this fixture.
2. If you have doubts about how to install a lighting fixture or if the fixture fails to operate correctly, please contact a local qualified licensed electrical contractor.
3. All parts must be used as indicated in the assembly/ installation instructions. Do not substitute the parts provided with any other parts (use authorized replacement parts only) or use any parts which are worn out or broken. If replacement parts are needed, write to

Authorized Replacement Parts Distribution Department,  
P.O. Box 318010, Cleveland, Ohio 44131-8010.

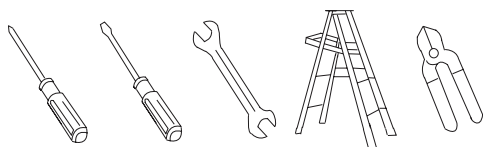
Failure to obey this instruction could invalidate the ETL/  
UL or CSA certification for this fixture.

4. Be sure to use light bulbs with wattage no greater than specified on this fixture. Be certain the electric current is turned off before changing light bulbs.
5. If a green insulated wire or bare copper or silver wire is included with this fixture be certain never to attach this wire to the “hot” current carrying supply wire.

6. Be sure the fixture is supported by a chain only (if fixture hangs by chain) and not by wire.
7. The hand-crafted beauty of this fixture is the result of tasteful design, experienced engineering, careful craftsmanship and a dedication to customer satisfaction. You will be assured years of service and enjoyment if you read and observe the following list of product care suggestions:
  - Be certain electric current is turned off before cleaning.
  - Clean metal components with a soft cloth, moistened with a mild liquid soap solution. Wipe clean and buff with a soft dry cloth. Under no circumstances should any metal polish be used, as its abrasive nature could damage the protective finish placed on the metal parts.
  - Wood components may be polished with a fine furniture polish, taking care to avoid getting the polish on the metal surfaces.
  - Never wash glass shades in an automatic dishwasher. To wash glass shades, line a sink with a towel and fill with warm water and a mild liquid soap. Wash glass with a soft cloth, rinse and wipe dry.

## TOOLS REQUIRED

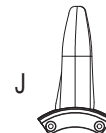
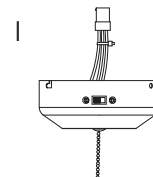
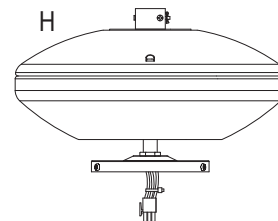
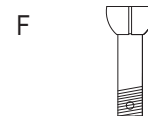
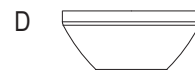
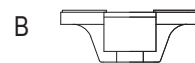
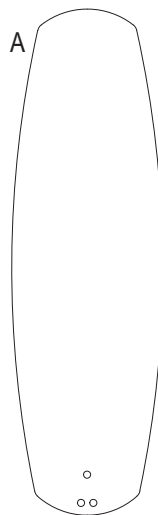
- Philips screw driver
- Blade screw driver
- 11mm wrench
- Step ladder
- Wire cutters



## PACKAGE CONTENTS

Unpack your fan and check the contents. You should have the following items:

- A. Fan blades (5)
- B. Ceiling mounting bracket
- C. Canopy decoration ring
- D. Canopy
- E. Canopy Cover
- F. Ball/downrod assembly
- G. Coupler cover
- H. Fan motor assembly
- I. Switch housing
- J. Blade brackets with pre-installed mounting screws (5)
- K. Package hardware:
  - 1) Safety cable hardware: screw (1)
  - 2) Gasket (1)
  - 3) Pull chains and fobs (1)
  - 4) Balancing Kit
  - 5) Blade attachment hardware: screws (15), washers (15)
  - 6) Plastic wire connectors (3)



# MOUNTING OPTIONS

If there is not an existing UL (cUL for Canadian Installation) listed mounting box, then read the following instructions. Disconnect the power by removing fuses or turning off circuit breakers.

Secure the outlet box directly to the building structure. Use appropriate fasteners and building materials. The outlet box and its support must be able to fully support the full weight of the fan (up to 50 lbs). Do not use plastic outlet boxes.

Figures 1, 2, and 3 are examples of different ways to mount the outlet box.

**NOTE:** If you are installing the ceiling fan on a sloped (vaulted) ceiling, you may need a longer downrod to maintain proper clearance between the tip of the blade and the ceiling. A minimum clearance of 12" is suggested for optimal operation.

**NOTE:** Depending on the location you have selected for installation, you may need to purchase and install a "Joist Hanger" for the support of the outlet box. Make sure the joist hanger you purchase has been designed for use with ceiling fans. (Fig. 4)

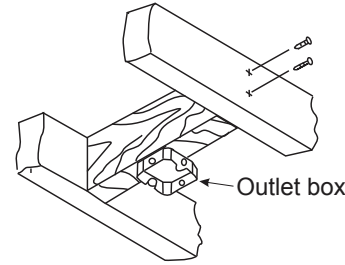


Fig. 1

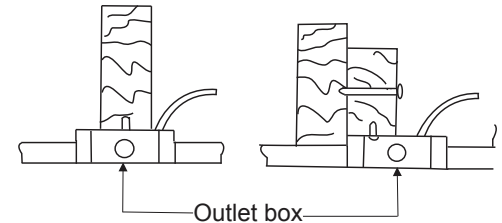


Fig. 2

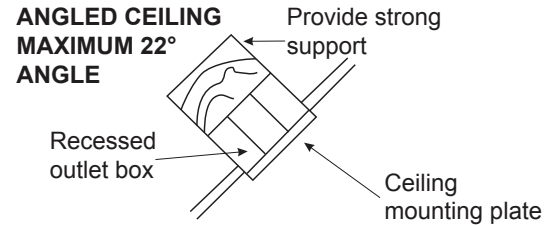


Fig. 3

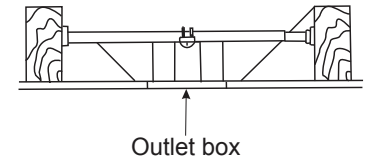


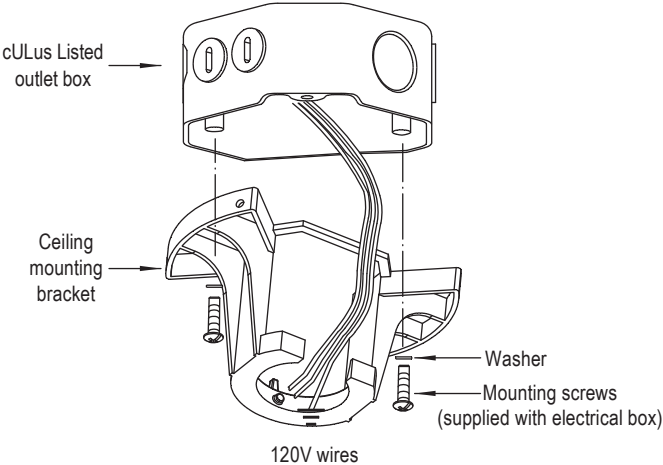
Fig. 4

# HANGING THE FAN

**REMEMBER** to turn off the power before you begin.

To properly install your ceiling fan, follow the steps below.

NOTE: This ceiling fan is supplied with two types of hanging assemblies; the standard ceiling installation using the downrod with ball and socket mounting and the “close-to-ceiling” installation. The “close-to-ceiling” installation is recommended in rooms with less than 8-foot ceilings or in areas where additional space is desired from the floor to the fan blades.



**Fig. 5**



# HANGING THE MOTOR ASSEMBLY

## Standard Ceiling Installation

**Step 1.** Pass the 120-volt supply wires through the center hole in the ceiling hanger bracket as shown in Fig. 5.

**Step 2.** Secure the hanger bracket to the ceiling outlet box with the screws and washers provided with your outlet box.

**Step 3.** Remove the hitch pin, lock pin and set screws from the top of the motor assembly.

**Step 4.** Route wires exiting from the top of the fan motor through the coupler cover, canopy cover, canopy, decoration ring and then through the ball/downrod. (Fig. 6)

**Step 5.** Align the holes at the bottom of the downrod with the holes in the collar on top of the motor housing (Fig. 6). Carefully insert the hitch pin through the holes in the collar and downrod. Be careful not to jam the pin against the wiring inside the downrod. Insert the locking pin through the hole near the end of the hitch pin until it snaps into its locked position.

**Step 6.** Tighten two set screws on top of the fan motor firmly. (Fig. 6)

**Step 7.** Place downrod ball into the hanger bracket socket. (Fig 7)

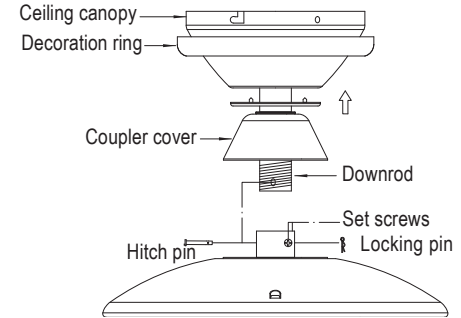
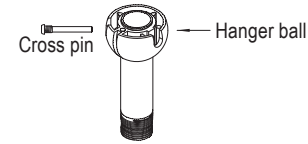


Fig. 6

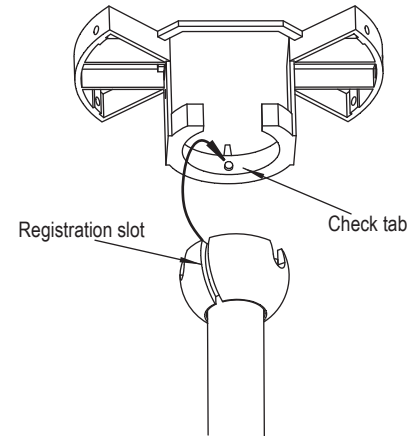


Fig. 7

# HANGING THE MOTOR ASSEMBLY

## Close-to-Ceiling Installation

**Step 1.** Pass the 120-volt supply wires through the center hole in the ceiling hanger bracket as shown in Fig. 5.

**Step 2.** Secure the hanger bracket to the ceiling outlet box with the screws and washers provided with your outlet box.

**Step 3.** Remove three of the six screws and lock washers (every other one) from the collar of top motor (Fig. 8)

**Step 4.** Place the ceiling canopy with decoration ring and the gasket over the collar at the top of the motor. Align the mounting holes with the holes in the motor and fasten using the screws and lock washers provided. (Fig. 8)

**Step 5.** Tighten the mounting screws securely.

**WARNING:** Failure to completely tighten the three screws in step 4 could result in fan loosening and possibly falling.

**Step 6.** Hang the fan on the hook of the hanger bracket. Be certain that the canopy is fully locked into hook as shown in Fig. 9. This will allow you to make the electrical connections.

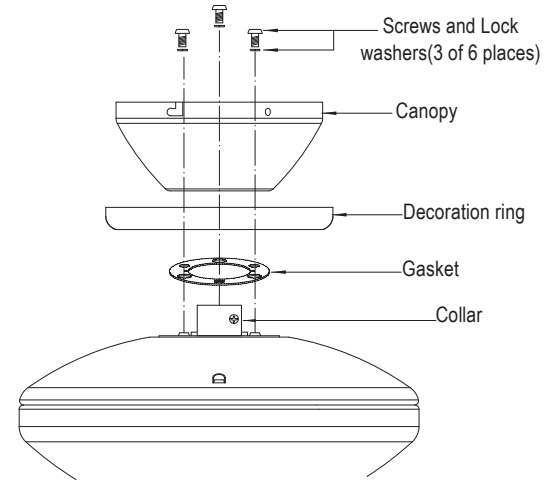


Fig. 8

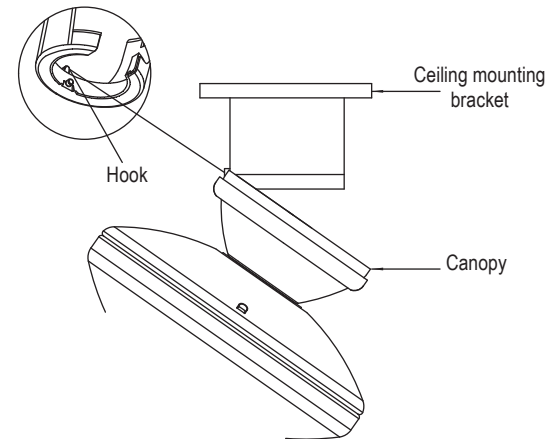


Fig. 9

## INSTALLATION OF SAFETY SUPPORT (Required for Canadian installation ONLY)

A safety support cable is provided to help prevent the ceiling fan from falling, please install it as follows.

**Step 1.** Attach the provided wood screw to the ceiling joist next to the mounting bracket. (Fig. 10)

**Step 2.** Adjust the length of the safety cable to reach the screw by pulling the extra cable through the cable clamp until the overall length is correct, put the end of the cable back through the cable clamp, forming a loop at the end of the cable. Tighten the cable clamp securely. Now, put the loop in the end of the safety cable over the wood screw securely.

**NOTE:** Although the safety support cable is required for Canadian installations only. It's a good idea to make the attachment with any installation.

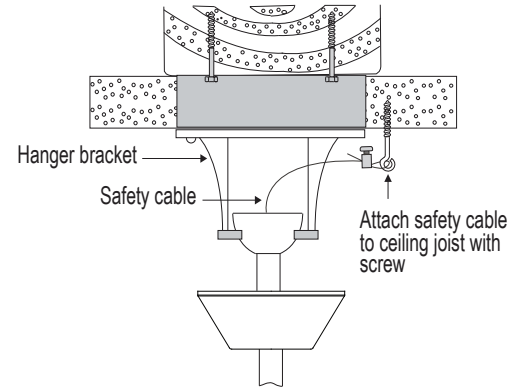


Fig. 10

# ELECTRICAL CONNECTIONS

**WARNING:** To avoid possible electrical shock, be sure you have turned off the power at the main circuit panel.

Follow the steps below to connect the fan to your household wiring. Use the wire connecting nuts supplied with your fan. Secure the connector with electrical tape. Make sure there are no loose wire stands or connections.

**Step 1.** Connect the fan supply (black) wire and light supply (blue) wire to the black household supply wire as shown in Figure 11.

**Step 2.** Connect the neutral fan (white) wire to the neutral household (white) wire.

**Step 3.** Connect the fan ground wire (green) to the household ground wire.

**Step 4.** After connecting the wires, spread them apart so that the green and white wires are on one side of the outlet box and black wires are on the other side.

**Step 5.** Turn the connecting nuts upward and push the wiring into the outlet box.

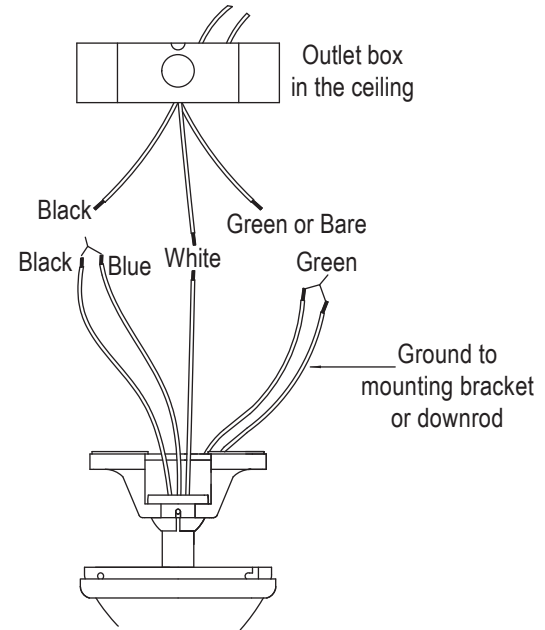


Fig. 11

# FINISHING THE MOTOR INSTALLATION

## Standard Ceiling Installation

**Step 1.** Tuck all the connections neatly into the ceiling outlet box.

**Step 2.** Slide the canopy up to ceiling and attach the canopy to the ceiling mounting bracket using 4 screws at the top edge of the mounting bracket. Insert each screw through the canopy mounting hole and into the mounting bracket. Tighten all screws securely. (Fig. 12)

## Close-to-Ceiling Ceiling Installation

**Step 1.** Tuck all the connections neatly into the ceiling outlet box.

**Step 2.** Remove the fan from the hook on the ceiling mounting bracket. Attach the fan assembly to the ceiling mounting bracket using 4 screws at the top edge of the mounting bracket.

Align the keyhole slots on the canopy with the mounting screw heads on the sides of the mounting bracket. Lift up and turn the fan assembly until the heads of the mounting screws are in the narrow end of the keyhole slots.

**Step 3.** Make sure all four mounting screws are tight. (Fig. 13)

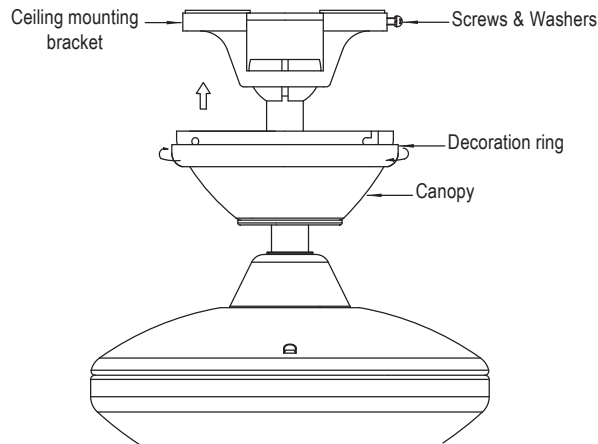


Fig. 12

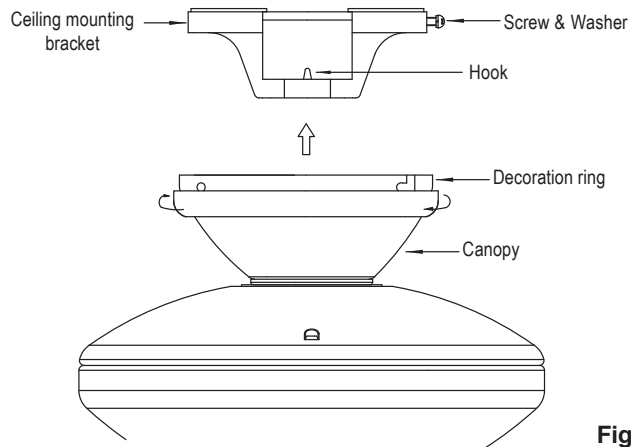


Fig. 13

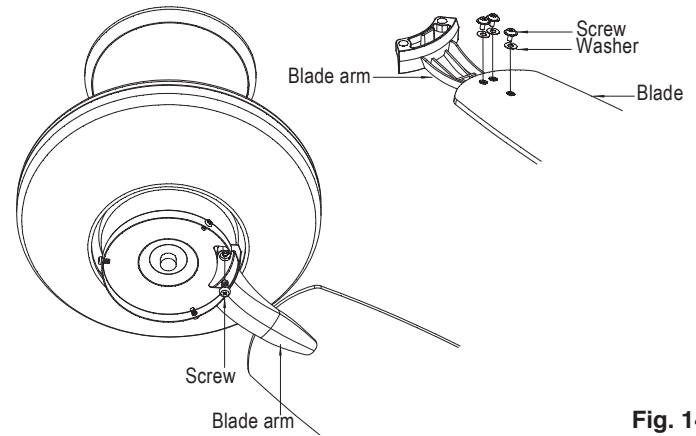
## ATTACHING THE FAN BLADES

**CAUTION:** Remove the rubber shipping blocks attached to the face of the motor. These blocks keep the motor from shifting during shipping and **MUST** be removed during installation.

**Step 1.** Attach the blade to the blade bracket using the screws and washers as shown in Figure 14. Start screw into bracket. Repeat for the two remaining screws.

**Step 2.** Make sure the blade is straight and tighten each screw.

**Step 3.** Fasten blade assembly to motor using “Pre-Installed” mounting screws in the blade bracket.



**Fig. 14**

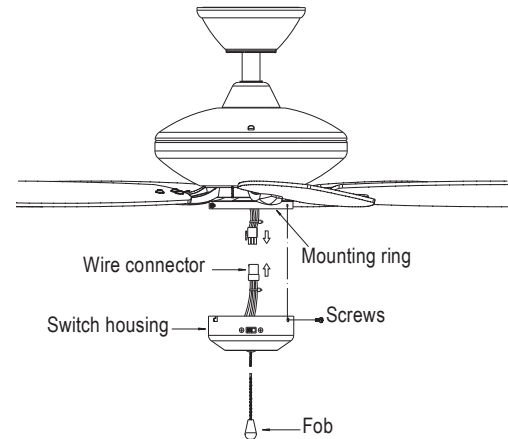
## INSTALLING THE SWITCH HOUSING

**NOTE:** Before continuing installation, confirm that the power is still turned off at the main circuit breaker or by removing the correct fuse. Turning the power off using a wall switch is not sufficient to prevent electrical shock.

**Step 1.** While holding the switch housing under your ceiling fan, push the square wire connectors together. One from the fan and one from the switch housing. (Fig. 15)

**NOTE:** These connectors are color coded and will **ONLY** engage when the colored strips are matched (aligned).

**Step 2.** Carefully push all the wires into the switch housing. Attach the switch housing to the mounting ring with the screws provided. Make sure each screw is tight. (Fig. 15)



**Fig. 15**

# OPERATING INSTRUCTIONS

Turn the power on and check the operation of your ceiling fan. The pull chain controls the fan speed as follows:

**Step 1.** 3-speed pull chain controls the fan speed as follows: 1 pull = High, 2 pulls = Medium, 3 pulls = Low, and 4 pulls = off.

**NOTE:** To set the fan blades in reverse, the reverse slide switch is located on the side of the switch housing.

**WARNING:** Do not operate reversing switch while fan blades are in motion. Fan must be turned off and blades stopped before reversing blade direction.

Warm weather - Forward (counter clockwise) A downward airflow creates a cooling effect as shown in Fig. 16. This allows you to set your air conditioner on a warmer setting without affecting your comfort.

Cool weather - Reverse (clockwise) An upward airflow moves warm air off the ceiling area as shown in Fig. 17. This allows you to set your heating unit on a cooler setting without affecting your comfort.

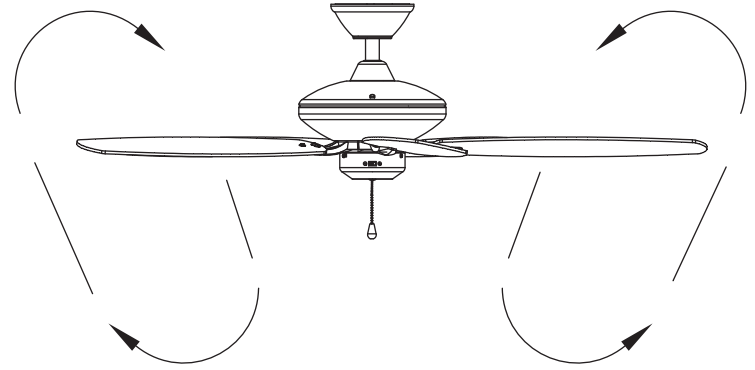


Fig. 16

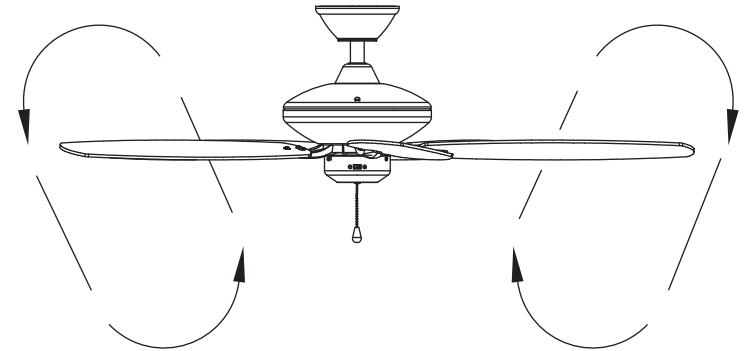


Fig. 17

# TROUBLESHOOTING

Problem	Solution
<b>Fan will not start.</b>	<ol style="list-style-type: none"><li>1. Check circuit fuses or breakers.</li><li>2. Check all electrical connections to ensure proper contact. <b>CAUTION:</b> Make sure the main power is OFF when checking any electrical connection.</li></ol>
<b>Fan sounds noisy.</b>	<ol style="list-style-type: none"><li>1. Make sure all motor housing screws are snug.</li><li>2. Make sure the screws that attach the fan blade brackets to the motor are tight.</li><li>3. Make sure wire nut connections are not rubbing against each other or the interior wall of the switch housing. <b>CAUTION:</b> Make sure main power is off.</li><li>4. Allow a 24-hour “breaking-in period. Most noise associated with a new fan disappears during this time.</li><li>5. If using an optional light kit, make sure the screws securing the glassware are tight. Make sure the light bulbs are not touching any other component.</li><li>6. Some fan motors are sensitive to signals from solid-state variable speed controls. If you have installed this type of control, choose and install another type of control.</li><li>7. Make sure the upper canopy is a short distance from the ceiling. It should not touch the ceiling.</li></ol>
<b>Fan wobbles.</b>	<ol style="list-style-type: none"><li>1. Check that all blade and blade arm screws are secure.</li><li>2. Most fan wobbling problems are caused when blade levels are unequal. Check this level by selecting a point on the ceiling above the tip of one of the blades. Measure this distance. Rotate the fan until the next blade is positioned for measurement. Repeat for each blade. The distance deviation should be equal within 1/8”.</li><li>3. Use the enclosed Blade Balancing Kit if the blade wobble is still noticeable.</li><li>4. If the blade wobble is still noticeable, interchanging two adjacent (side by side) blades can redistribute the weight and possibly result in smoother operation.</li></ol> <p><b>WARNING:</b> TO REDUCE THE RISK OF PERSONAL INJURY AND TO ENSURE THE PROPER OPERATION OF YOUR CEILING FAN, NEVER ATTACH THE BLADE ASSEMBLIES UNTIL THE CEILING FAN HAS BEEN MOUNTED ON THE CEILING. DO NOT BEND THE BLADE ARMS WHILE INSTALLING, BALANCING OR CLEANING THE FAN. DO NOT INSERT FOREIGN OBJECTS BETWEEN ROTATING FAN BLADES.</p>



# CEILING AND WALL FAN WARRANTY

## Lifetime Limited Warranty on Kichler® Ceiling and Wall Fans

Kichler Lighting LLC ("Kichler Lighting") warrants the following catalogued ceiling and wall fan products and component parts to the original consumer purchaser or commercial purchaser, as applicable, to be free from defects in material and workmanship for the applicable period specified below.

### Ceiling and Wall Fan Motor or Motor-Related Parts

For as long as the original consumer purchaser or commercial purchaser owns the ceiling or wall fan.

### LED Light Engines and Electrical Components

Five (5) years from the date of purchase when the ceiling or wall fan containing the LED light engine and electrical components is installed in a single family residence by the original consumer purchaser. For commercial purchasers, the warranty period is three (3) years from the date of purchase.

### Other Parts

One (1) year from the date of purchase of the ceiling or wall fan. Covered parts include, but are not limited to, blades, light kits, down rods, switches, housing or finish.

### Special Order (non-catalogued) Ceiling and Wall Fans

One (1) year from the date of purchase.

### What We Will Do

Kichler Lighting, at its sole discretion, will repair or replace, free of charge, during the applicable warranty period, any product or component part (as described above) that proves defective in material and/or workmanship under normal installation, use and service. If repair or replacement is not practical, Kichler Lighting may elect to refund the purchase price in exchange for the return of the product. Replacement parts are subject to availability and may differ from those originally supplied. These are your exclusive remedies.

### What is Not Covered

The following carry no warranty other than the manufacturer's warranty:

- Non-LED light bulbs supplied by, but not manufactured by, Kichler Lighting.
- Non-Kichler branded LED light bulbs supplied by, but not manufactured by, Kichler Lighting.

This warranty does not cover polished brass finishes on the products described above. This warranty does not cover damage resulting from reasonable wear and tear, voltage outside of the North American Standard Voltage Range 108 to 132 VAC (60 HZ), misuse (including use of the product for an unintended application), abuse, improper packaging of product returned to Kichler Lighting, neglect and improper or incorrect installation, maintenance or repair, including failure to follow the applicable care and cleaning instructions. Kichler Lighting recommends using a professional electrician for all installation and repair of its products.

## What You Must Do to Obtain Warranty Service or Replacement Parts

A warranty claim may be made by returning the product to the distributor or retailer from whom you purchased the product with proof of purchase (original sales receipt) and a written claim briefly describing the defect.

If the distributor or retailer is not available, or if you have questions about this warranty, please contact us by mail or online as follows (please include your model number and date of purchase):

Kichler Lighting LLC

7711 East Pleasant Valley Rd

Cleveland, OH 44131

<http://www.kichler.com/customer-service/contact-us/.aspx>

### Limitation on Duration of Implied Warranties

Note: Some states/provinces (including Quebec) do not allow limitations on how long an implied warranty lasts, so the below limitation may not apply to you. TO THE EXTENT PERMITTED BY LAW, ANY IMPLIED WARRANTY, INCLUDING THE IMPLIED WARRANTIES OF MERCHANTABILITY AND OF FITNESS FOR A PARTICULAR PURPOSE, IS LIMITED TO THE STATUTORY PERIOD OR THE DURATION OF THIS WARRANTY, WHICHEVER IS SHORTER.

### Limitation of Special, Incidental or Consequential Damages

Note: Some states/provinces (including Quebec) do not allow the exclusion or limitation of special, incidental or consequential damages, so the below limitations and exclusions may not apply to you. Notice to residents of the State of New Jersey: The provisions of this warranty, including its limitations, are intended to apply to the fullest extent permitted by the laws of the State of New Jersey. KICHLER LIGHTING SHALL NOT BE LIABLE FOR ANY SPECIAL, INCIDENTAL OR CONSEQUENTIAL DAMAGES (INCLUDING LABOR CHARGES TO REPAIR, REPLACE, INSTALL OR REMOVE THIS PRODUCT), WHETHER ARISING OUT OF BREACH OF ANY EXPRESS OR IMPLIED WARRANTY, BREACH OF CONTRACT, TORT, OR OTHERWISE.

### Additional Rights

This warranty gives you specific legal rights. You may also have other rights which vary by state or province.

This warranty is not transferable.

# KICHLER®

[www.kichler.com](http://www.kichler.com)

**KICHLER® LIGHTING**

**7711 EAST PLEASANT VALLEY ROAD**

**CLEVELAND, OHIO 44131-8010**

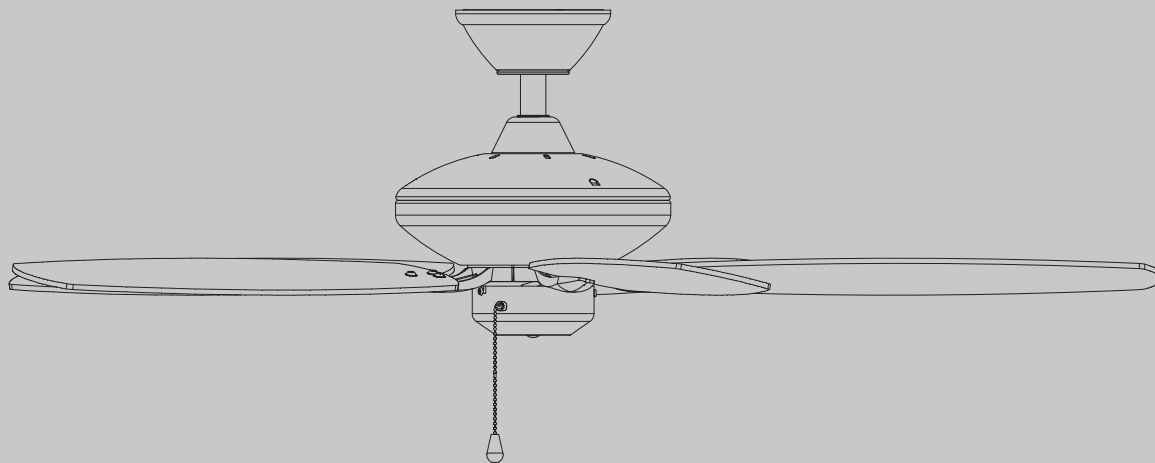
**CUSTOMER SERVICE 866.558.5706**

**8:00 AM TO 5:00 PM EST, MONDAY - FRIDAY**

# KICHLER®

## RENEW PATIO DE 1,32 M

Les images du produit peuvent être légèrement différentes du produit réel.



## MODE D'EMPLOI

Modèle UL n° 330165

LISEZ ET CONSERVEZ CES INSTRUCTIONS

Poids net: 6,71 kgs (14,79 lbs)  
Poids brut: 7,80 kgs (17,20 lbs)

# TABLE DES MATIÈRES

RÈGLES DE SÉCURITÉ.....	4
INSTRUCTIONS POUR L'ENTRETIEN ET L'UTILISATION .....	5
OUTILS ET ÉQUIPEMENT REQUIS.....	6
CONTENU DE L'EMBALLAGE.....	6
OPTIONS D'INSTALLATION .....	7
SUSPENSION DU VENTILATEUR.....	8
INSTALLATION DU CÂBLE DE SUPPORT DE SÉCURITÉ..	11
CONNEXIONS ÉLECTRIQUES.....	12

TERMINER L'INSTALLATION DU MOTEUR.....	13
INSTALLATION DES PALES DU VENTILATEUR.....	14
INSTALLATION DU BOÎTIER DE L'INTERRUPTEUR.....	14
MODE D'EMPLOI .....	15
DÉPANNAGE .....	16
GARANTIE DES VENTILATEURS DE PLAFOND ET MURAUX .....	17

Lisez toutes les instructions AVANT de procéder à l'assemblage et l'UTILISATION du produit.  
**CONSERVEZ CES INSTRUCTIONS POUR UN USAGE ULTÉRIEUR**

# RÈGLES DE SÉCURITÉ

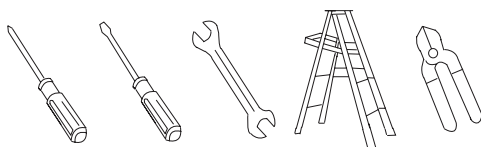
1. **ATTENTION - RISQUE DE CHOC ÉLECTRIQUE -**  
Coupez le courant au panneau à disjoncteurs principal ou à la boîte à fusibles principale avant d'entamer et pendant l'installation.
2. **AVERTISSEMENT :** Cet appareil est conçu pour une installation conformément au code national de l'électricité (NEC), ainsi qu'à toutes les exigences des codes locaux. Si vous n'êtes pas au courant des exigences en matière de code, nous recommandons une installation par un électricien accrédité.
3. **AVERTISSEMENT :** Pour réduire le risque d'incendie ou d'électrocution, n'utilisez pas ce ventilateur avec un dispositif de contrôle de vitesse à semi-conducteurs. .
4. **AVERTISSEMENT :** Pour réduire les risques d'incendie, de choc électrique, une boîte de sortie ou de montage lésions corporelles portant la mention « acceptable pour le ventilateur Supporte jusqu'à 22,7 kg (50 lb) ». Pour une installation sur une boîte de sortie de courant, utilisez les vis de montage fournies avec la boîte de sortie de courant.
5. **AVERTISSEMENT :** Afin de réduire les risques d'incendie, de choc électrique ou de blessure corporelle, installez le ventilateur sur une boîte de sortie de courant portant la mention « Capable de supporter un ventilateur ».
6. La boîte de sortie de courant et la structure de support doivent être solidement fixées et capables de supporter un minimum de 22,7 kg de façon sûre. Utilisez uniquement des boîtes de sortie de courant homologuées cULus et portant la mention « POUR LE SUPPORT D'UN VENTILATEUR ».
7. Le ventilateur doit être installé avec une distance minimale de 2,1 m entre le bord de fuite des pales et le sol.
8. **AVERTISSEMENT :** N'activez pas le sélecteur d'inversion lorsque les pales du ventilateur sont en mouvement. Le ventilateur doit être éteint et les pales immobiles avant d'inverser le sens de rotation des pales.
9. Ne placez pas d'objets dans la trajectoire des pales.
10. Pour éviter les blessures corporelles ou les dommages au ventilateur ou d'autres objets, faites preuve de prudence en travaillant près du ventilateur ou en le nettoyant.
11. **AVERTISSEMENT :** Assurez-vous que l'alimentation est coupée avant de nettoyer le ventilateur.
12. N'utilisez ni eau ni détergents pour nettoyer le ventilateur ou les pales du ventilateur. Un chiffon à poussière sec ou un linge légèrement humide conviennent en général pour le nettoyage et le conducteur non mis à la terre de l'autre côté de la boîte de sortie..
13. Après avoir effectué les branchements électriques, retournez les conducteurs épissés vers le haut et insérez-les soigneusement dans la boîte de sortie de courant. Les fils doivent être écartés de façon à ce que le conducteur mis à la terre et le conducteur de mise à la terre de l'équipement soient du même côté de la boîte de sortie de courant.
14. Les schémas électriques sont fournis à titre indicatif seulement. Les luminaires qui ne sont pas emballés avec le ventilateur doivent être homologués cULus et porter une mention spécifiant qu'ils peuvent être utilisés avec ce modèle de ventilateur. Les interrupteurs doivent être homologués cULus pour usage général. Consultez les instructions fournies avec les luminaires et les interrupteurs pour un assemblage approprié. Utilisez uniquement avec des kits luminaire d'éclairage marqués « convient pour une utilisation dans des endroits humides ».
15. **AVERTISSEMENT :** Afin de réduire les risques de blessure corporelle, ne pliez pas les supports de pale (aussi appelés brides) pendant l'assemblage ou après l'installation. Ne placez pas d'objets dans la trajectoire des pales.
16. Toutes les vis de réglage doivent être vérifiées et resserrées si nécessaire avant l'installation.

# INSTRUCTIONS POUR L'ENTRETIEN ET L'UTILISATION

1. Lire attentivement et comprendre ces instructions d'entretien et d'utilisation ainsi que toutes les instructions d'installation fournies avec ce luminaire, recto et verso, avant de procéder au montage, à l'installation, à l'entretien et à l'utilisation de ce luminaire.
2. En cas d'hésitation sur l'installation d'un luminaire ou si le luminaire ne fonctionne pas correctement, contactez un électricien qualifié et agréé local.
3. Toutes les pièces doivent être utilisées telles qu'indiquées dans les instructions de montage/installation. Ne pas substituer les pièces fournies par d'autres pièces (utiliser toujours des pièces de rechange autorisées) ni utiliser des pièces usées ou cassées. Si des pièces doivent être remplacées, adressez-vous par écrit à :  
  
Authorized Replacement Parts Distribution Department,  
P.O. Box 318010, Cleveland, Ohio 44131-8010 U.S.A.  
  
Ne pas se conformer à cette directive peut annuler la certification/homologation ELT/UL ou CSA du luminaire.
4. Utilisez toujours des ampoules dont la puissance en watts est équivalente ou inférieure à celle indiquée sur le luminaire. Vérifiez que le courant électrique est coupé avant de changer une ampoule.
5. Si le fil vert isolé ou le conducteur en cuivre nu ou le fil argent sont inclus dans ce luminaire, veillez à ne jamais fixer ce fil au fil d'alimentation sous tension.
6. Assurez-vous que le luminaire est supporté uniquement par une chaîne (si le luminaire est suspendu à une chaîne) et non par un fil électrique.
7. Ce très beau luminaire, fabriqué à la main, au design particulièrement soigné est le résultat d'une collaboration étroite entre une vaste expertise en ingénierie, un travail méticuleux et notre dévouement à la satisfaction de la clientèle. Vous bénéficierez de nombreuses années de service et de plaisir si vous suivez les conseils d'entretien suivants:
  - Assurez-vous que le courant électrique est coupé avant de procéder au nettoyage du luminaire.
  - Nettoyez les éléments en métal avec un chiffon doux imprégné d'une solution à base de savon liquide doux. Faites briller avec un chiffon sec et doux. N'utilisez jamais de produits pour polir les métaux sous risque d'endommager le fini protecteur des pièces métalliques.
  - Les éléments en bois doivent être lustrés avec de la cire pour meubles de bonne qualité. Ne pas cirer les surfaces métalliques.
  - Ne jamais mettre les abat-jours en verre dans un lave-vaisselle. Pour les laver, placez une serviette dans l'évier que vous remplissez d'eau chaude et ajoutez un savon liquide doux. Utilisez un chiffon doux, rincez et essuyez.

## OUTILS REQUIS

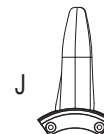
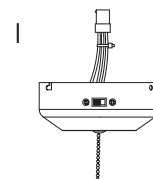
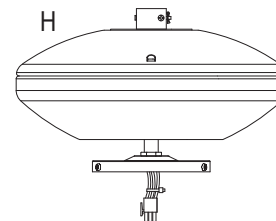
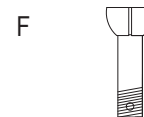
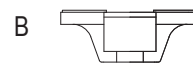
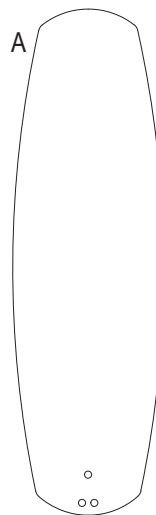
- Tournevis cruciforme
- Tournevis plat
- Clé de 11 mm
- Escabeau
- Coupe-fils



## CONTENU DE L'EMBALLAGE

Déballez votre ventilateur et vérifiez le contenu de l'emballage.  
Les articles suivants devraient s'y trouver :

- |   |   |
|---|---|
| A. Pales du ventilateur (5)                               | K. quincaillerie dans l'emballage :                               |
| B. Support de montage au plafond                          | 1) Quincaillerie pour câble de sécurité : vis (1)                 |
| C. Anneau décoratif de montage                            | 2) Joint d'étanchéité (1)   |
| D. Montage  | 3) Chaînes (tirettes) et breloques (1)                            |
| E. Couvercle de montage                                   | 4) Trousse d'équilibrage  |
| F. Ensemble boule/tige de suspension                      | 5) Quincaillerie de fixation des pales : vis (15), rondelles (15) |
| G. Couvercle d'accouplement                               | 6) Capuchons de connexion (3)                                     |
| H. Moteur du ventilateur                                  |   |
| I. Boîtier d'interrupteur                                 |   |
| J. Supports de pale avec vis de montage préinstallées (5) |   |





## OPTIONS D'INSTALLATION

Si une boîte de sortie de courant homologuée UL (cUL pour les installations au Canada) n'est pas déjà installée, lisez les instructions suivantes. Coupez l'alimentation en retirant les fusibles ou en déclenchant les disjoncteurs.

Fixez la boîte de sortie de courant directement à la structure du bâtiment. Utilisez les pièces de fixation et les matériaux de construction appropriés. La boîte de sortie de courant et son support doivent pouvoir supporter complètement le plein poids du ventilateur (22,7 kg maximum). N'utilisez pas une boîte de sortie de courant en plastique.

Les Figures 1, 2 et 3 montrent des exemples des différentes façons d'installer la boîte de sortie de courant.

**REMARQUE :** Si vous installez le ventilateur de plafond sur un plafond incliné (en voûte), il se peut que vous ayez besoin d'une tige de suspension plus longue pour maintenir un dégagement adéquat entre le bout de la pale et le plafond. Un dégagement minimum de 30,48 cm (12 po) est suggéré pour un fonctionnement optimal.

**REMARQUE :** Selon l'emplacement choisi pour l'installation, il se peut que vous ayez besoin d'acheter et d'installer un « étrier à solive » pour soutenir la boîte de sortie de courant. Assurez-vous que l'étrier à solive que vous achetez est conçu pour une utilisation avec les ventilateurs de plafond. (Fig. 4)

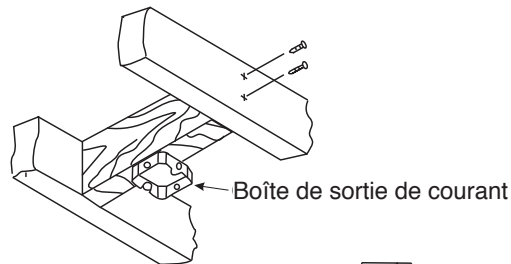


Fig. 1

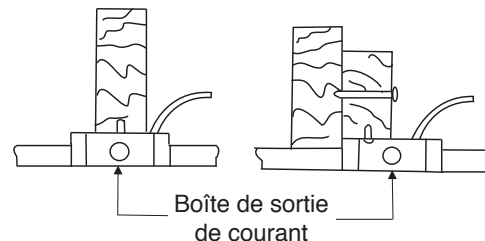


Fig. 2

**ANGLE MAXIMUM PERMIS POUR PLAFOND EN PENTE, 22°**

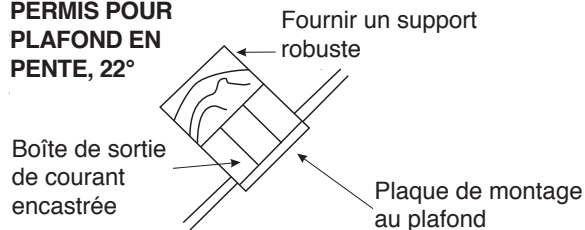


Fig. 3

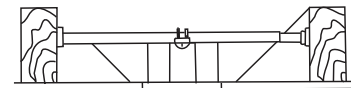


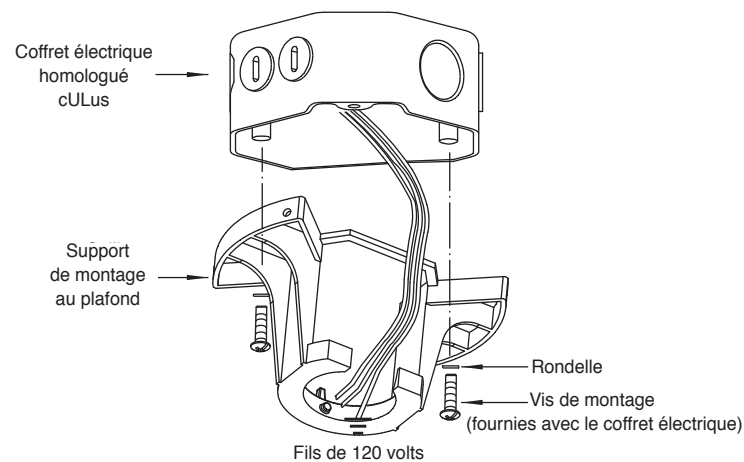
Fig. 4

# SUSPENSION DU VENTILATEUR

**RAPPELEZ-VOUS** de couper le courant avant de commencer.

Pour installer correctement votre ventilateur de plafond, suivez les étapes suivantes.

REMARQUE : Ce ventilateur de plafond est fourni avec deux options d'installation; l'installation standard au plafond à l'aide d'une tige de suspension avec boule et douille, et l'installation « près du plafond ». L'installation « près du plafond » est recommandée pour les pièces dont la hauteur de plafond est inférieure à 2,44 m, ou si l'on souhaite avoir un espace supplémentaire entre le sol et les pales du ventilateur.



**Fig. 5**

# SUSPENSION DU MOTEUR

## Installation standard au plafond

**Étape 1.** Faites passer les fils d'alimentation de 120 volts par l'orifice central du support de montage au plafond, comme illustré sur la Fig. 5.

**Étape 2.** Fixez le support de montage sur la boîte de sortie de courant au plafond, à l'aide des vis et rondelles fournies avec la boîte de sortie de courant.

**Étape 3.** Retirez la goupille d'attache, la goupille de blocage et les vis de pression du haut du moteur.

**Étape 4.** Faites passer les fils sortant du dessus du moteur du ventilateur à travers le couvercle d'accouplement, le couvercle de montage, la monture, l'anneau décoratif de montage, puis à travers la boule/tige de suspension. (Fig. 6)

**Étape 5.** Alignez les trous au bas de la tige de suspension avec les trous du collet sur le dessus du boîtier du moteur (Fig. 6). Insérez avec précaution la goupille d'attache dans les trous du collet et de la tige de suspension. Faites attention à ne pas coincer la goupille contre les fils situés à l'intérieur de la tige de suspension. Insérez la goupille de blocage dans le trou près de l'extrémité de la goupille d'attache, jusqu'à ce qu'elle s'enclenche en place.

**Étape 6.** Serrez fermement les deux vis de pression situées sur le dessus du moteur du ventilateur. (Fig. 6)

**Étape 7.** Placez la boule de la tige de suspension dans la douille du support de montage. (Fig. 7)

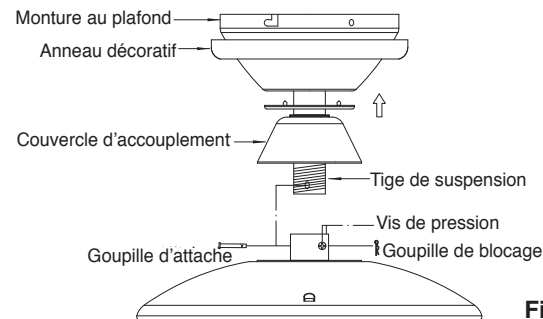
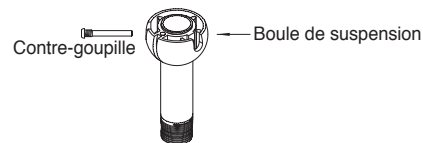


Fig. 6

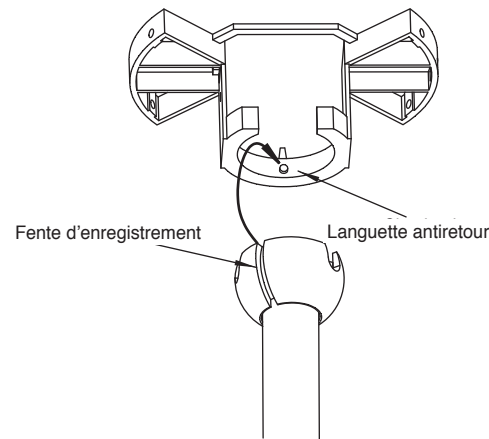


Fig. 7

# SUSPENSION DU MOTEUR

## Installation près du plafond

**Étape 1.** Faites passer les fils d'alimentation de 120 volts par l'orifice central du support de montage au plafond, comme illustré sur la Fig. 5.

**Étape 2.** Fixez le support de montage sur la boîte de sortie de courant au plafond, à l'aide des vis et rondelles fournies avec la boîte de sortie de courant.

**Étape 3.** Retirez trois des six vis et rondelles de blocage (en retirer une sur deux) du collet situé en haut du moteur (Fig. 8)

**Étape 4.** Placez la monture au plafond avec l'anneau décoratif et le joint d'étanchéité par-dessus le collet situé en haut du moteur. Alignez les trous de montage sur ceux du moteur et fixez au moyen des vis et rondelles de blocage fournies. (Fig. 8)

**Étape 5.** Serrez solidement les vis de montage.

**AVERTISSEMENT :** Ne pas serrer complètement les trois vis à l'étape 4 peut entraîner le desserrage du ventilateur et éventuellement sa chute.

**Étape 6.** Suspendez le ventilateur au crochet du support de montage. Assurez-vous que la monture est complètement fixée sur le crochet, comme illustré dans la Fig. 9. Ceci vous permettra d'effectuer les connexions électriques.

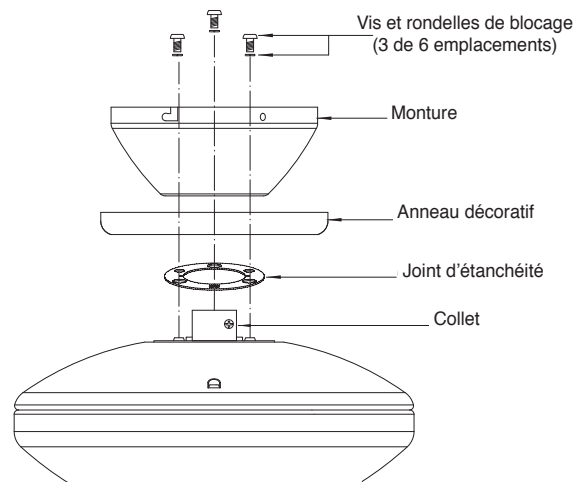


Fig. 8

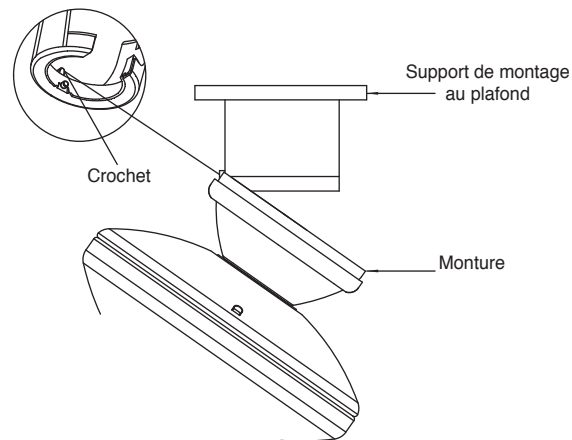


Fig. 9

## INSTALLATION DU CÂBLE DE SUPPORT DE SÉCURITÉ (requis pour les installations au Canada UNIQUEMENT)

Un câble de support de sécurité est fourni pour aider à empêcher le ventilateur de plafond de tomber; veuillez l'installer comme suit.

**Étape 1.** Fixez la vis à bois à la solive de plafond, à côté du support de montage. (Fig. 10)

**Étape 2.** Réglez la longueur du câble de sécurité pour lui permettre d'atteindre la vis en tirant l'excès de câble par le serre-câble, jusqu'à ce que la longueur totale soit correcte, remettez l'extrémité du câble dans le serre-câble en formant une boucle à l'extrémité du câble. Serrez bien le serre-câble. Placez maintenant la boucle à l'extrémité du câble de sécurité fermement par-dessus la vis à bois.

**REMARQUE :** Bien que le câble de support de sécurité ne soit requis que pour les installations au Canada, il est recommandé d'effectuer cette fixation avec toutes les installations.

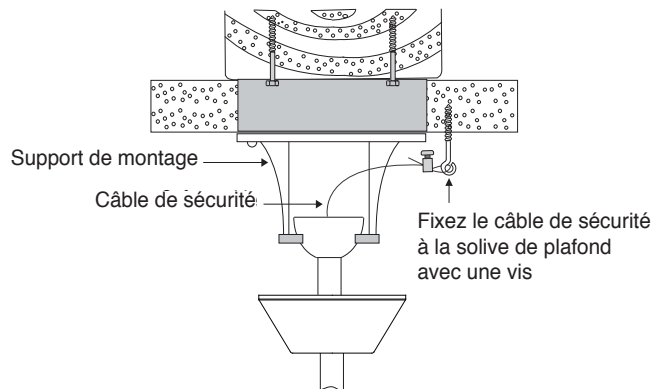


Fig. 10

# CONNEXIONS ÉLECTRIQUES

**AVERTISSEMENT :** Pour éviter toute possibilité de choc électrique, veuillez à couper le courant au niveau du tableau de distribution principal.

Suivez les étapes ci-dessous pour brancher le ventilateur au câblage de la maison. Utilisez les capuchons de connexion fournis avec le ventilateur. Assurez solidement le capuchon de connexion avec du ruban isolant. Assurez-vous qu'il n'y a aucun fil ou connexion desserré(e).

**Étape 1.** Connectez le fil d'alimentation (noir) du ventilateur et le fil d'alimentation (bleu) du luminaire au fil noir d'alimentation de la maison, comme illustré dans la Fig. 11.

**Étape 2.** Connectez le fil neutre (blanc) du ventilateur au fil neutre (blanc) de l'alimentation de la maison.

**Étape 3.** Connectez le fil de mise à la terre (vert) du ventilateur au fil de mise à la terre de la maison.

**Étape 4.** Après avoir connecté les fils, séparez-les de façon à ce que les fils vert et blanc soient d'un côté de la boîte de sortie de courant et que les fils noirs soient de l'autre côté.

**Étape 5.** Tournez les capuchons de connexion vers le haut et poussez les fils à l'intérieur de la boîte de sortie de courant.

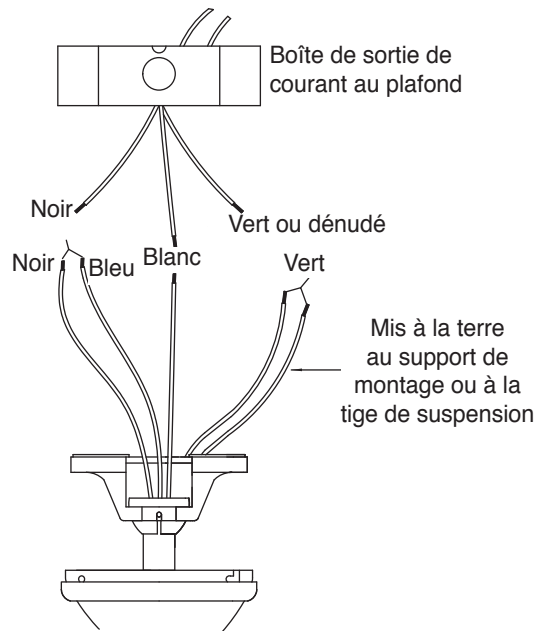


Fig. 11

# TERMINER L'INSTALLATION DU MOTEUR

## Installation standard au plafond

**Étape 1.** Insérez toutes les connexions proprement dans la boîte de sortie de courant du plafond.

**Étape 2.** Faites glisser la monture jusqu'au plafond et fixez la monture au support de montage au plafond, à l'aide des 4 vis sur le bord supérieur du support de montage. Insérez chaque vis dans le trou de montage de la monture et dans le support de montage. Serrez bien toutes les vis. (Fig. 12)

## Installation près du plafond

**Étape 1.** Insérez toutes les connexions proprement dans la boîte de sortie de courant du plafond.

**Étape 2.** Retirez le ventilateur du crochet sur le support de montage au plafond. Fixez le ventilateur sur le support de montage au plafond, à l'aide des 4 vis sur le bord supérieur du support de montage.

Alignez les fentes en trou de serrure de la monture avec les têtes de vis de montage sur les côtés du support de montage. Soulevez et tournez le ventilateur jusqu'à ce que les têtes des vis de montage se trouvent dans l'extrémité étroite des fentes en trou de serrure.

**Étape 3.** Assurez-vous que les quatre vis de montage sont bien serrées. (Fig. 13)

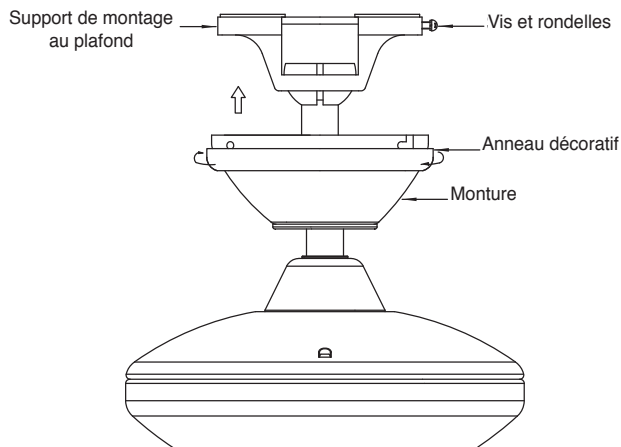


Fig. 12

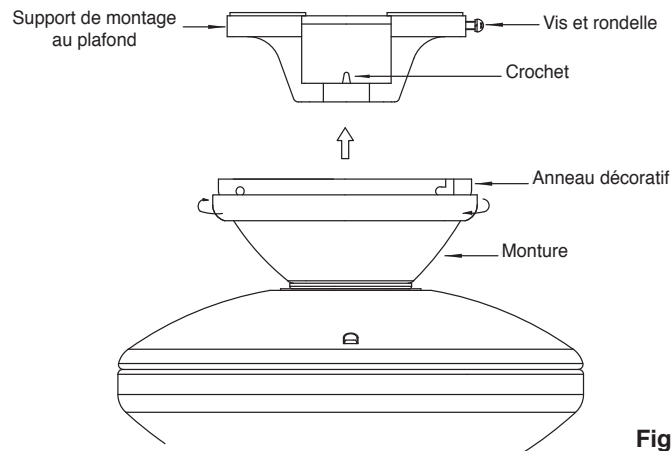


Fig. 13

## INSTALLATION DES PALES DU VENTILATEUR

**ATTENTION :** Retirez les blocs d'expédition en caoutchouc fixés sur la face du moteur. Ces blocs empêchent le moteur de se déplacer pendant le transport et DOIVENT être retirés pendant l'installation.

**Étape 1.** Fixez la pale au support de pale à l'aide des vis et rondelles, comme illustré dans la Figure 14. Commencez à insérer la vis dans le support. Répétez l'opération pour les deux autres vis.

**Étape 2.** Veillez à ce que la pale soit droite et serrez bien chaque vis.

**Étape 3.** Serrez la pale sur le moteur à l'aide des vis « préinstallées » du support de pale.

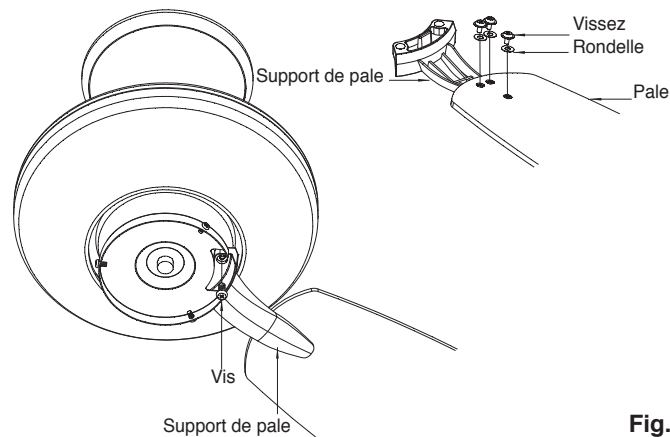


Fig. 14

## INSTALLATION DU BOÎTIER DE L'INTERRUPTEUR

**REMARQUE :** Avant de poursuivre l'installation, confirmez que le courant est toujours coupé au disjoncteur principal ou en retirant le fusible correct. Éteindre l'alimentation électrique à l'aide d'un interrupteur mural est insuffisant pour prévenir les chocs électriques.

**Étape 1.** Tout en maintenant le boîtier d'interrupteur sous votre ventilateur de plafond, poussez les capuchons de connexion carrés l'un dans l'autre. Un du ventilateur et un du boîtier d'interrupteur. (Fig. 15)

**REMARQUE :** Ces capuchons de connexion ont des codes de couleur et s'enclencheront UNIQUEMENT une fois que les bandes colorées correspondent (sont alignées).

**Étape 2.** Poussez soigneusement tous les fils dans le boîtier d'interrupteur. Fixez le boîtier d'interrupteur sur l'anneau de fixation avec les vis fournies. Veillez à ce que chaque vis soit bien serrée. (Fig. 15)

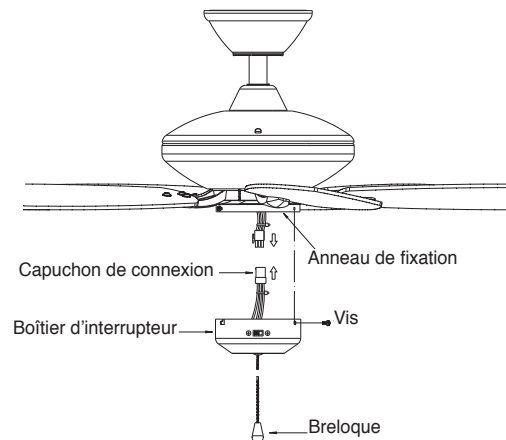


Fig. 15



## MODE D'EMPLOI

Remettez sous tension et vérifiez le fonctionnement de votre ventilateur de plafond. La chaîne (tirette) du ventilateur permet de contrôler la vitesse du ventilateur comme suit :

**Étape 1.** La chaîne (tirette) à 3 vitesses permet de contrôler la vitesse du ventilateur comme suit : 1 tirage = Élevée, 2 tirages = Moyenne, 3 tirages = Faible et 4 tirages = Arrêt.

**REMARQUE :** Pour inverser la direction de rotation des pales de ventilateur, le sélecteur d'inversion à glissière est situé sur le côté du boîtier d'interrupteur.

**AVERTISSEMENT :** N'activez pas le sélecteur d'inversion lorsque les pales sont en mouvement. Le ventilateur doit être éteint et les pales immobiles avant d'inverser le sens de rotation des pales.

Par temps chaud - En avant (sens antihoraire) Un débit d'air descendant crée une sensation rafraîchissante, tel qu'illustré sur la Fig. 16. Ce qui permet d'utiliser un réglage de climatisation plus chaud sans nuire au confort.

Par temps frais - En sens inverse (sens horaire) Un débit d'air ascendant déplace l'air chaud du plafond, tel qu'illustré sur la Fig. 17. Ce qui permet d'utiliser un réglage de chauffage plus faible sans nuire au confort.

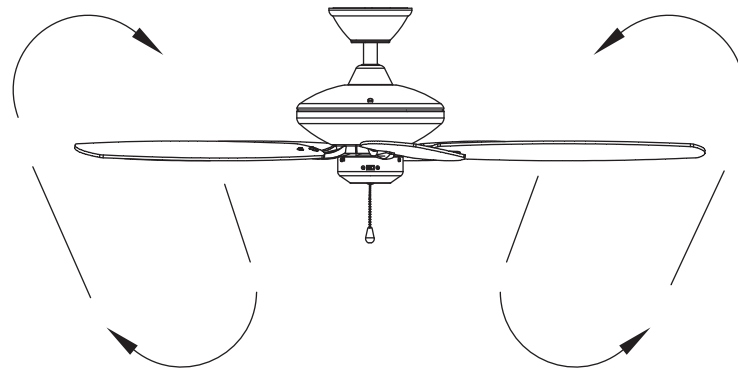


Fig. 16

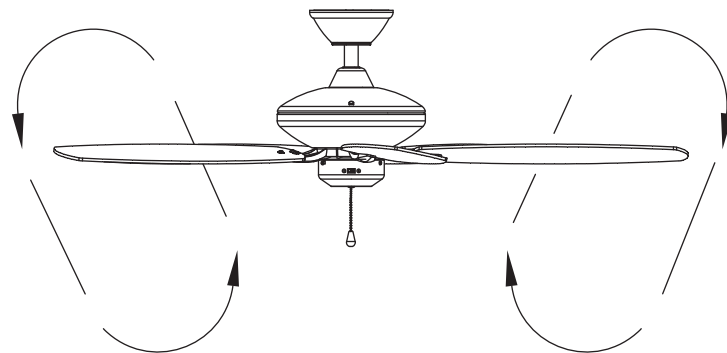


Fig. 17

# DÉPANNAGE

## Problème

## Solution

### Le ventilateur ne démarre pas.

1. Vérifiez les fusibles ou disjoncteurs.
2. Vérifiez toutes les connexions électriques pour assurer un contact adéquat.  
**ATTENTION :** Assurez-vous que l'alimentation électrique est COUPÉE lorsque vous vérifiez les connexions électriques.

### Le ventilateur fait du bruit.

1. Assurez-vous que toutes les vis du boîtier du moteur sont bien serrées.
2. Assurez-vous que les vis qui fixent les supports de pales au moteur sont bien serrées.
3. Assurez-vous que les capuchons de connexion ne s'entrechoquent pas ou ne se battent pas contre la paroi intérieure du boîtier de l'interrupteur.  
**ATTENTION :** Assurez-vous que l'alimentation principale est coupée.
4. Laissez passer une période de « rodage » de 24 heures. La majorité du bruit d'un ventilateur neuf disparaît au cours de cette période.
5. Si vous utilisez un luminaire en option, veillez à ce que les vis qui fixent fermement tout abat-jour en verre soient bien serrées. Assurez-vous que les ampoules ne touchent aucun autre composant.
6. Certains moteurs de ventilateur sont sensibles aux signaux provenant de commandes de vitesses à semi-conducteurs. Si vous avez installé ce type de commande, sélectionnez et installez un autre type de commande.
7. Assurez-vous que le haut de la monture est légèrement éloigné du plafond. Elle ne devrait pas toucher le plafond.

### Le ventilateur oscille.

1. Vérifiez que les vis de toutes les pales et de tous les supports de pales sont bien vissées.
2. La plupart des problèmes d'oscillation des ventilateurs sont causés par la hauteur inégale des pales. Vérifiez la hauteur des pales en choisissant un point au plafond, au dessus de l'extrémité de l'une des pales. Mesurez cette distance. Faites tourner le ventilateur pour que la pale suivante soit en position pour la mesure. Répétez pour chaque pale. L'écart de distance doit être le même, à 3,17 mm (1/8 po) près.
3. Utilisez la trousse d'équilibrage des pales si les pales oscillent toujours.
4. Si vous remarquez toujours l'oscillation des pales, il est possible que l'échange réciproque de pales adjacentes (qui se côtoient) puisse redistribuer le poids et même résulter en un fonctionnement plus en douceur.

**AVERTISSEMENT :** POUR RÉDUIRE LE RISQUE DE BLESSURE CORPORELLE ET ASSURER LE BON FONCTIONNEMENT DE VOTRE VENTILATEUR DE PLAFOND, NE FIXEZ JAMAIS LES PALES AVANT QUE LE VENTILATEUR DE PLAFOND SOIT INSTALLÉ AU PLAFOND. NE PLIEZ PAS LES SUPPORTS DE PALE PENDANT L'INSTALLATION, L'ÉQUILIBRAGE OU LE NETTOYAGE DU VENTILATEUR. N'INSÉREZ AUCUN CORPS ÉTRANGER ENTRE LES PALES DE VENTILATEUR EN ROTATION.

# GARANTIE DES VENTILATEURS DE PLAFOND ET MURAUX

## Garantie limitée à vie sur les ventilateurs de plafond et muraux Kichler®

Kichler Lighting LLC (« Kichler Lighting ») garantit que les produits suivants, catalogués en tant que ventilateurs de plafond et muraux, et leurs composants, à l'acheteur consommateur initial ou à l'acheteur commercial, selon le cas, sont exempts de défauts de matériaux et de fabrication pendant la période applicable spécifiée ci-dessous.

### Moteur du ventilateur de plafond et mural ou pièces liées au moteur

Tant que le consommateur ou l'acheteur commercial d'origine est propriétaire du ventilateur de plafond ou mural.

### Moteur d'éclairage à LED et composants électriques

Cinq (5) ans à compter de la date d'achat lorsque le ventilateur de plafond ou mural contenant le moteur d'éclairage à LED et les composants électriques est installé dans une résidence unifamiliale par l'acheteur consommateur initial. Pour les acheteurs commerciaux, la période de garantie est de trois (3) ans à compter de la date d'achat.

### Autres pièces

Un (1) an à compter de la date d'achat du ventilateur de plafond ou mural. Les pièces couvertes comprennent, sans s'y limiter, les lames, les kits d'éclairage, les tiges, les interrupteurs, le boîtier ou la finition.

### Commande spéciale (hors catalogue) de ventilateurs de plafond et mural

Un (1) an à compter de la date d'achat.

### Ce que nous ferons

Kichler Lighting, à sa seule discrétion, réparera ou remplacera gratuitement, pendant la période de garantie applicable, tout produit ou composant (tel que décrit ci-dessus) qui s'avérerait défectueux en termes de matériaux et/ou de fabrication dans le cadre d'une installation, d'une utilisation et d'un service normaux. Si la réparation ou le remplacement n'est pas praticable, Kichler Lighting peut choisir de rembourser le prix d'achat en échange du retour du produit. Les pièces de rechange sont soumises à la disponibilité et peuvent différer de celles fournies à l'origine. Ce sont vos recours exclusifs.

### Ce qui n'est pas couvert

Les produits suivants ne bénéficient d'aucune autre garantie que celle du fabricant:

- Ampoules non-LED fournies par Kichler Lighting, mais non fabriquées par cette société
- Ampoules LED de marque autre que Kichler fournies par Kichler Lighting, mais non fabriquées par cette société

Cette garantie ne couvre pas les finitions en laiton poli des produits décrits ci-dessus. Cette garantie ne couvre pas les dommages résultant d'une usage raisonnable, d'une tension en dehors de la plage de tension standard nord-américaine de 108 à 132 VAC (60 HZ), de cas de force majeure, d'une mauvaise utilisation (y compris le recours au produit pour une application non prévue), d'un détournement, d'un emballage inadéquat du produit restitué à Kichler Lighting, d'une négligence et d'une installation,

d'un entretien ou d'une réparation incorrecte ou inappropriée, y compris le non-respect des instructions d'entretien et de nettoyage applicables. Kichler Lighting recommande de faire appel à un électricien professionnel pour toute installation et réparation de ses produits.

### Ce que vous devez faire pour obtenir un service de garantie ou des pièces de rechange

Une demande de garantie peut être faite en restituant le produit au distributeur ou au détaillant auprès duquel vous avez acheté le produit avec la preuve d'achat (ticket de caisse original) et une réclamation écrite décrivant brièvement le défaut.

Si le distributeur ou le détaillant n'est pas disponible, ou si vous avez des questions concernant cette garantie, veuillez nous contacter par courrier ou en ligne comme suit (veuillez indiquer votre numéro de modèle et la date d'achat):

Kichler Lighting LLC  
7711 East Pleasant Valley Rd  
Cleveland, OH 44131

<http://www.kichler.com/customer-service/contact-us/.aspx>

### Limitation de la durée des garanties implicites

Note : Certains états/provinces (dont le Québec) n'autorisent pas la limitation de la durée d'une garantie implicite, il est donc possible que la limitation ci-dessous ne vous concerne pas. DANS LA MESURE PERMISE PAR LA LOI, TOUTE GARANTIE IMPLICITE, Y COMPRIS LES GARANTIES IMPLICITES DE QUALITÉ MARCHANDE ET D'ADEQUATION À UN USAGE PARTICULIER, EST LIMITÉE À LA PÉRIODE LÉGALE OU À LA DURÉE DE CETTE GARANTIE, LA DURÉE LA PLUS COURTE DES DEUX ÉTANT RETENUE.

### Limitation des dommages spéciaux, accessoires ou consécutifs

Note : Certains états/provinces (dont le Québec) n'autorisent pas l'exclusion ou la limitation des dommages spéciaux, accessoires ou consécutifs, de sorte que les limitations et exclusions ci-dessous peuvent ne pas vous être applicables. Avis aux résidents de l'État du New Jersey : Les dispositions de la présente garantie, y compris ses limitations, sont destinées à s'appliquer dans toute la mesure permise par les lois de l'État du New Jersey. KICHLER LIGHTING NE PEUT ÊTRE TENU POUR RESPONSABLE DE TOUT DOMMAGE SPÉCIAL, ACCESSOIRE OU CONSÉCUTIF (Y COMPRIS LES FRAIS DE MAIN-D'ŒUVRE POUR RÉPARER, REMPLACER, INSTALLER OU RETIRER CE PRODUIT), QU'IL RÉSULTE D'UNE VIOLATION DE TOUTE GARANTIE EXPRESSE OU IMPLICITE, D'UNE RUPTURE DE CONTRAT, D'UN DÉLIT CIVIL OU AUTRE..

### Droits supplémentaires

Cette garantie vous donne des droits légaux particuliers. Vous pouvez également avoir d'autres droits qui varient en fonction des États ou des provinces.

Cette garantie n'est pas cessible.

# KICHLER®

[www.kichler.com](http://www.kichler.com)

KICHLER LIGHTING®

7711 EAST PLEASANT VALLEY ROAD

CLEVELAND, OHIO 44131-8010

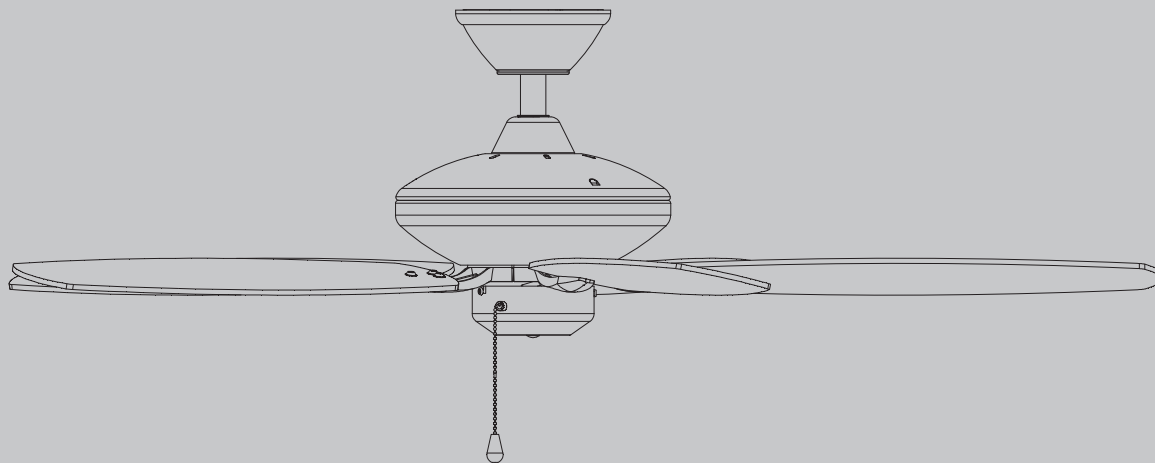
SERVICE À LA CLIENTÈLE 866 558-5706

ENTRE 8H00 ET 17H00, HNE, DU LUNDI AU VENDREDI

# KICHLER®

## RENEW PATIO DE 52 plg (1.32 m)

Las imágenes del producto pueden diferir ligeramente del producto original.



## MANUAL DE INSTRUCCIONES

Modelo # 330165 aprobado por UL

LEA Y GUARDE ESTAS INSTRUCCIONES

Peso neto: 6.71 kgs (14.79 lbs)  
Peso bruto: 7.80 kgs (17.20 lbs)

# TABLA DE CONTENIDO

NORMAS DE SEGURIDAD .....	4	CÓMO FINALIZAR LA INSTALACIÓN DEL MOTOR .....	13
INSTRUCCIONES DE USO Y CUIDADO.....	5	CÓMO FIJAR LAS ASPAS DEL VENTILADOR .....	14
HERRAMIENTAS Y MATERIALES NECESARIOS.....	6	CÓMO INSTALAR LA CAJA DEL INTERRUPTOR .....	14
CONTENIDO DEL PAQUETE.....	6	INSTRUCCIONES DE USO .....	15
OPCIONES DE MONTAJE.....	7	SOLUCIÓN DE PROBLEMAS .....	16
CÓMO COLGAR EL VENTILADOR.....	8	GARANTÍA DE VENTILADOR DE TECHO Y PARED.....	17
INSTALACIÓN DE SOPORTE DE SEGURIDAD.....	11		
CONEXIONES ELÉCTRICAS.....	12		

Leer todas las instrucciones ANTES de ensamblar y USAR el producto  
**CONSERVA ESTAS INSTRUCCIONES PARA USO FUTURO**

# NORMAS DE SEGURIDAD

1. **PRECAUCIÓN - RIESGO DE DESCARGA ELÉCTRICA-** Desconectar la corriente eléctrica en el panel del cortacircuitos principal o la caja principal de fusibles antes de comenzar y durante la instalación.
2. **ADVERTENCIA:** Este elemento fijo se debe instalar según el Código Nacional de Electricidad (NEC) y todas las especificaciones de códigos locales. Si no estás familiarizado con todos los requisitos de códigos, se recomienda acudir a un electricista calificado para la instalación.
3. **ADVERTENCIA:** Para reducir el riesgo de incendio o descarga eléctrica, no utilice este ventilador con ningún dispositivo de control de velocidad de estado sólido. .
4. **ADVERTENCIA:** Para reducir el riesgo de incendio, descarga eléctrica o lesiones personales, instala directamente a una caja eléctrica clasificada como “Apropiada para sostener ventiladores de 22.7 kg (50 lb)”. Para el montaje en caja eléctrica, usa los tornillos de montaje incluidos con la caja eléctrica.
5. **ADVERTENCIA:** Para reducir el riesgo de incendio, descarga eléctrica o lesión personal, montar el ventilador en caja eléctrica clasificada como “apropiada para sostener ventiladores”.
6. La caja eléctrica y la estructura de soporte tienen que montarse de forma segura para poder sostener con confianza como mínimo 50 lb. Usar solo cajas eléctricas listas por cULus y clasificadas como «APROPIADA PARA SOSTENER VENTILADORES».
7. El ventilador tiene que montarse con al menos 7 pies (2.1 m) de separación entre el borde trasero de las aspas y el piso.
8. **ADVERTENCIA:** No operar el interruptor de reversa mientras las aspas del ventilador estén en movimiento. El ventilador tiene que estar apagado y las aspas detenidas antes de invertir el sentido del movimiento.
9. Evita colocar objetos en la trayectoria de las aspas.
10. Para evitar lesiones personales o daños al ventilador y otros artículos, ten cuidado al limpiarlo o al trabajar cerca de él.
11. **ADVERTENCIA:** Asegúrese de que la energía esté desconectada antes de limpiar el ventilador.
12. No usar agua ni detergentes para limpiar el ventilador o las aspas. Para limpiar, casi siempre será adecuado un paño seco o ligeramente humedecido con que quitar el polvo.
13. Después de concluir con las conexiones eléctricas, debes voltear los conductores empalmados hacia arriba y empujarlos con cuidado hacia dentro de la caja eléctrica. Los cables deben estar separados con el cable a tierra y el conductor a tierra del equipo a un lado de la caja eléctrica y el conductor sin conexión a tierra en el otro lado de la caja de salida.
14. Los diagramas eléctricos son solo para referencia. Los kits de luces que no vienen en la caja del ventilador tienen que estar aprobados por cULus y marcados como apropiados para usar con el modelo de ventilador que estás instalando. Los interruptores deben ser interruptores cULus de uso general. Para ensamblar bien, consulta las instrucciones adjuntas a los kits de luces e interruptores. Use sólo con kit de luces marcadas “adecuado para su uso en lugares húmedos”.
15. **ADVERTENCIA:** Para reducir el riesgo de lesiones personales, no dobles los soportes de las aspas (también llamados “bridas”) durante ni después de la instalación. No colocar objetos en la trayectoria de las aspas.
16. Todos los tornillos de fijación deben ser verificados, y volver a apretar si es necesario, antes de la instalación.



## INSTRUCCIONES DE USO Y CUIDADO

1. Lea y entienda completamente estas Instrucciones de Uso y Cuidado y todas las instrucciones de instalación provistas con este artefacto, tanto del frente como del dorso, antes de proseguir con el montaje, instalación, cuidado y uso de este artefacto.
2. Si tuviera alguna duda acerca de cómo instalar un artefacto luminoso o si el artefacto fallara en funcionar correctamente, por favor comuníquese con un contratista de electricidad licenciado calificado local.
3. Todas las piezas se deben usar como se indica en las instrucciones de instalación / montaje. No sustituya las piezas provistas con otras (use solo piezas de recambio autorizadas) ni use piezas que estén desgastadas o rotas. Si necesita piezas de recambio, escriba a

Authorized Replacement Parts Distribution Department,  
P.O. Box 318010, Cleveland, Ohio 44131-8010.

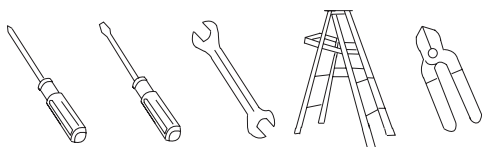
El no obedecer esta instrucción podría invalidar la certificación ETL/ UL o CSA de este artefacto.

4. Asegúrese de usar bombillas con el vataje no mayor que el especificado en este artefacto. Asegúrese de que la corriente eléctrica esté apagada antes de cambiar las bombillas.
5. Si un cable aislado verde o un cable de cobre o plata desnudo se incluye con este artefacto, asegúrese de que nunca se acople este cable al cable de alimentación eléctrica “vivo” que trae corriente.

6. Asegúrese de que el artefacto esté sostenido solamente por una cadena (si el artefacto cuelga de una cadena) y no del cable.
7. La belleza artesanal de este artefacto es el resultado de un diseño de buen gusto, ingeniería experimentada, artesanía cuidadosa y la dedicación a la satisfacción del cliente. Usted tendrá años de servicio y satisfacción si lee y observa la lista siguiente con las sugerencias de cuidado del producto:
  - Asegúrese de que la alimentación de corriente eléctrica esté apagada antes de limpiar.
  - Limpie los componentes metálicos con un paño suave, humedecido en una solución de jabón líquido suave. Limpie y lustre con un paño seco y suave. Bajo ninguna circunstancia deberá usarse pulidor para metales, puesto que su naturaleza abrasiva podría dañar el acabado protector de las partes metálicas.
  - Los componentes de madera se pueden limpiar con un lustramuebles fino, teniendo cuidado para evitar que toque las superficies metálicas.
  - Nunca lave las pantallas de vidrio en un lavaplatos automático. Para lavar las pantallas de vidrio, ponga una toalla como revestimiento de la piletta y llene de agua tibia y un jabón líquido suave. Lave el vidrio con un paño suave, enjuague y seque bien.

## HERRAMIENTAS NECESARIAS

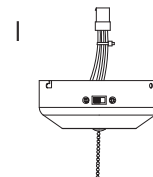
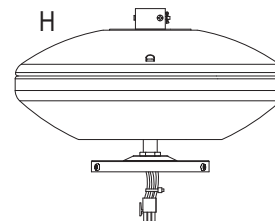
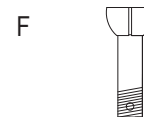
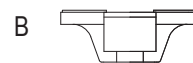
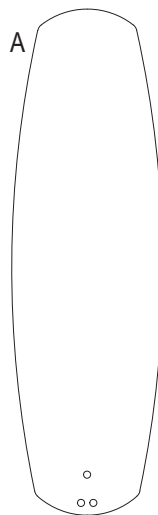
- Destornillador Phillips
- Destornillador para aspas
- Llave de 11 mm
- Escalera de tijera
- Cortacables



## CONTENIDO DEL PAQUETE

Desempaca tu ventilador y revisa el contenido. Debes tener los siguientes artículos:

- |   |   |
|---|---|
| A. Aspas del ventilador (5)   | K. Accesorios del paquete:  |
| B. Soporte de montaje en techo                                      | 1) Herrajes para el cable de seguridad: tornillo (1)                  |
| C. Aro decorativo de la cubierta                                    | 2) Junta (1)  |
| D. Cubierta   | 3) Interruptores de cadena y colgantes (1)                            |
| E. Ensamblaje de la tapa  | 4) Kit de compensación de aspas                                       |
| F. Conjunto de tubo bajante/esfera                                  | 5) Herrajes para montaje de las aspas: tornillos (15), arandelas (15) |
| G. Cubierta del acoplador   | 6) Tuercas de conexión de cables (3)                                  |
| H. Conjunto del motor del ventilador                                |   |
| I. Caja del interruptor   |   |
| J. Soportes de las aspas con tornillos de montaje preinstalados (5) |   |



## OPCIONES DE MONTAJE

De no existir una caja de montaje aprobada por UL (cUL, para instalación en Canadá), leer bien las siguientes instrucciones. Desconecta la energía retirando los fusibles o apagando los cortacircuitos.

Asegura la caja eléctrica directamente a la estructura de la edificación. Usa sujetadores y materiales de construcción apropiados. La caja eléctrica y su soporte tienen que sostener completamente el peso total del ventilador (hasta 50 lb = 22.7 kg). No uses cajas eléctricas de plástico.

Las figuras 1, 2 y 3 son ejemplos de diferentes formas de montar la caja eléctrica.

**NOTA:** Si estás instalando el ventilador de techo en un techo inclinado (abovedado), tal vez necesites un tubo bajante más largo para mantener el espacio adecuado entre las aspas y el techo. Se sugiere un espacio libre mínimo de 12 plg (30.5 cm) para un funcionamiento óptimo.

**NOTA:** En función de la ubicación de instalación que hayas elegido, tal vez necesites comprar e instalar un «soporte de viga» para sostener la caja eléctrica. Asegúrate de que el soporte de viga que compres esté diseñado para usar con ventiladores de techo. (Fig. 4)

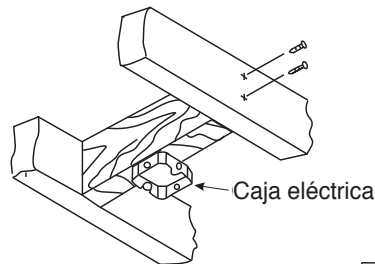


Fig. 1

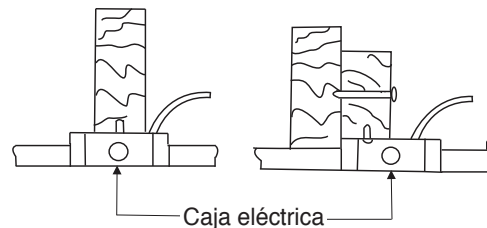


Fig. 2

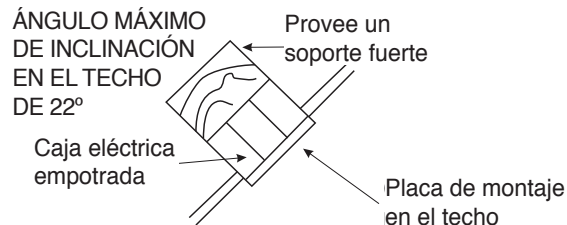


Fig. 3

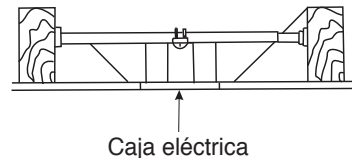


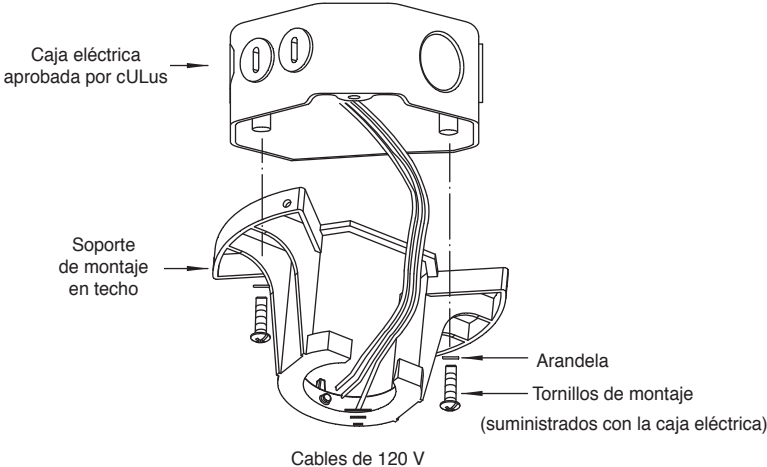
Fig. 4

# CÓMO COLGAR EL VENTILADOR

**RECUERDA** desconectar la corriente antes de comenzar.

Para instalar correctamente tu ventilador de techo, sigue los pasos a continuación.

NOTA: Este ventilador de techo viene con dos tipos de ensamblajes de soporte: la instalación de techo estándar con tubo bajante y esfera y soporte de montaje; y la instalación "cerca del techo". La instalación "cerca del techo" se recomienda en habitaciones con techos de menos de 8 pies (2.44 metros) de altura o en áreas donde se desee espacio adicional entre el piso y las aspas del ventilador.



**Fig. 5**

# CÓMO COLGAR EL ENSAMBLAJE DEL MOTOR

## Instalación estándar en techo

**Paso 1.** Pasa los cables de suministro de 120 voltios a través del orificio central en el soporte colgante del techo como lo muestra la Figura 5.

**Paso 2.** Asegura el soporte colgante a la caja eléctrica en el cielo raso con los tornillos y arandelas suministrados con aquella.

**Paso 3.** Retira el pasador de enganche, el pasador de seguridad y los tornillos de fijación de la parte superior del conjunto ensamblado del motor.

**Paso 4.** Inserta los cables que salen por la parte superior del motor del ventilador a través de la cubierta del acoplador, la tapa de la cubierta, el aro decorativo y luego por el tubo bajante y la esfera. (Fig. 6)

**Paso 5.** Alinea los orificios en la parte inferior del tubo bajante con aquellos del collarín en la parte superior de la carcasa de motor (Fig. 6). Inserta con cuidado el pasador de enganche a través de los orificios del collarín y del tubo bajante. Ten cuidado de no apretarlo contra el cableado dentro del tubo bajante. Inserta el pasador de seguridad en el orificio cercano al extremo del pasador de enganche hasta que quede encajada en su posición.

**Paso 6.** Aprieta firmemente los dos tornillos de fijación en la parte superior del motor de ventilador. (Fig. 6)

**Paso 7.** Coloca la esfera del tubo bajante dentro del soporte de montaje colgante. (Fig. 7)

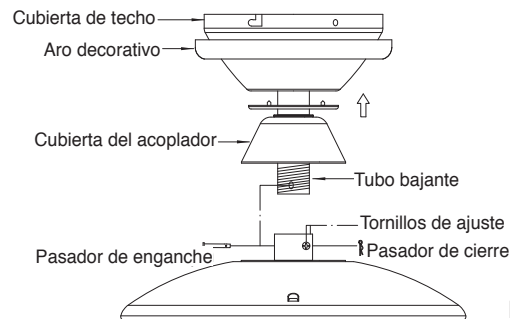
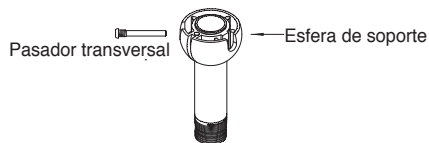


Fig. 6

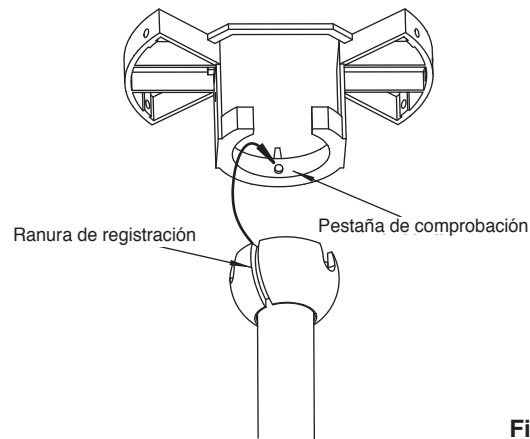


Fig. 7

# CÓMO COLGAR EL ENSAMBLAJE DEL MOTOR

## Instalación cerca del techo

**Paso 1.** Pasa los cables de suministro de 120 voltios a través del orificio central en el soporte colgante del techo como lo muestra la Figura 5.

**Paso 2.** Asegura el soporte colgante a la caja eléctrica en el cielo raso con los tornillos y arandelas suministrados con aquella.

**Paso 3.** Retira tres de los seis tornillos y arandelas de seguridad (alternados) del collarín en la parte superior del motor (Fig. 8).

**Paso 4.** Coloca la cubierta de techo con el aro decorativo y la junta sobre el collarín en la parte superior del motor. Alinea los orificios de montaje con los orificios del motor y asegura con los tornillos y arandelas de seguridad suministrados. (Fig. 8)

**Paso 5.** Aprieta bien los tornillos de montaje.

**ADVERTENCIA:** Si no ajustas correctamente los tres tornillos según lo indicado en el paso 4 se pueden aflojar y posiblemente se caiga el ventilador.

**Paso 6.** Cuelga el ventilador en el gancho del soporte de montaje. Asegúrate de que la cubierta esté bien asegurada en el gancho como se muestra en la Fig. 9. Esto te permitirá hacer las conexiones eléctricas.

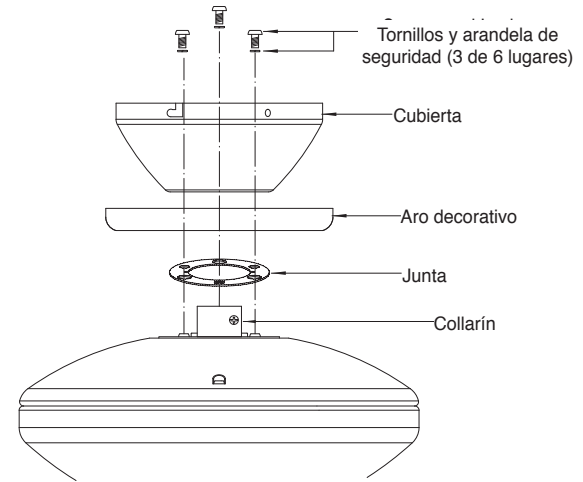


Fig. 8

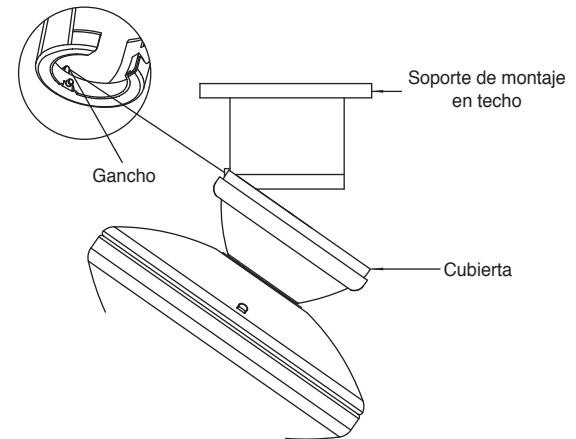


Fig. 9

## INSTALACIÓN DE SOPORTE DE SEGURIDAD (Se requiere para la instalación en Canadá ÚNICAMENTE)

Se incluye un cable de soporte de seguridad para prevenir que el ventilador de techo se caiga, instálalo de la siguiente manera.

**Paso 1.** Sujeta el tornillo para madera y las arandelas suministrados a las vigas del techo junto al soporte de montaje. (Fig. 10)

**Paso 2.** Ajusta el largo del cable de seguridad para que llegue al tornillo halando el cable adicional a través de la abrazadera del cable hasta que el largo general sea el correcto, vuelve a colocar el cable en la abrazadera y forma un bucle en el extremo del mismo. Aprieta firmemente la abrazadera del cable. Ahora, coloca el bucle en el extremo del cable de seguridad sobre el tornillo para madera de manera segura.

**NOTA:** A pesar de que el cable de soporte de seguridad se requiere para instalaciones en Canadá únicamente. Es una buena idea hacer la conexión en cualquier instalación.

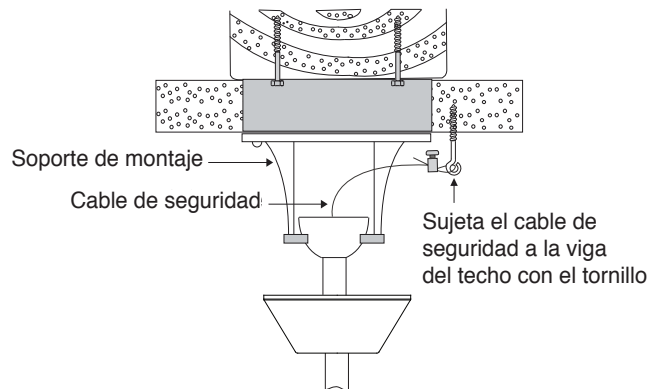


Fig. 10

# CONEXIONES ELÉCTRICAS

**ADVERTENCIA:** Para evitar una posible descarga eléctrica, asegúrate de haber apagado la electricidad en el panel de circuito principal.

Sigue estos pasos para conectar tu ventilador al circuito de tu hogar. Usa las tuercas de conexión de cables que vienen con tu ventilador. Asegura el conector con cinta de electricista. Asegúrate de que no haya conexiones ni filamentos del cable sueltos.

**Paso 1.** Conecta los cables de alimentación del ventilador (negro) y el cable de suministro (azul) de la luz al cable negro de suministro de corriente al hogar como se muestra en la Figura 11.

**Paso 2.** Conecta el cable neutro (blanco) del ventilador al cable neutro (blanco) del circuito eléctrico del hogar.

**Paso 3.** Conecta el cable (verde) de conexión a tierra del ventilador al cable de conexión a tierra del hogar.

**Paso 4.** Después de conectar los cables, sepáralos de manera que los cables verde y blanco queden de un lado de la caja eléctrica y los cables negros del otro.

**Paso 5.** Gira las tuercas de conexión hacia arriba y coloca el cableado dentro de la caja eléctrica.

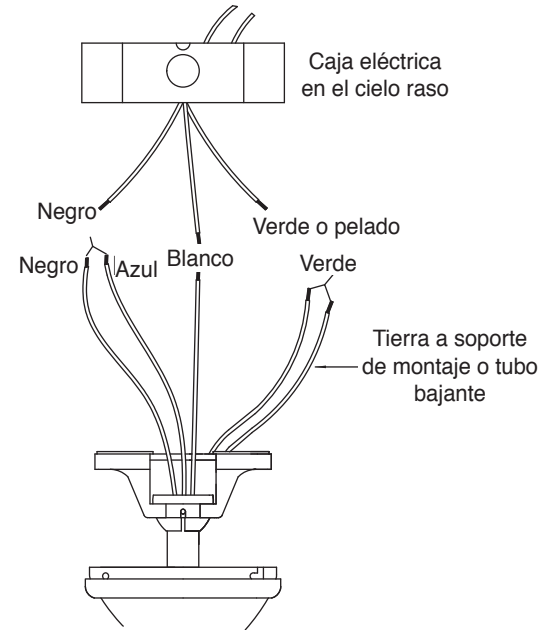


Fig. 11



# CÓMO FINALIZAR LA INSTALACIÓN DEL MOTOR

## Instalación estándar en techo

**Paso 1.** Coloca todas las conexiones apropiadamente en la caja eléctrica del techo.

**Paso 2.** Desliza la cubierta hasta el techo y asegúrala al soporte de montaje de techo usando 4 tornillos en el borde superior del soporte de montaje. Inserta cada tornillo en el orificio de montaje de la cubierta y dentro del soporte de montaje. Aprieta firmemente todos los tornillos. (Fig. 12).

## Instalación cerca del techo

**Paso 1.** Coloca todas las conexiones apropiadamente en la caja eléctrica del techo.

**Paso 2.** Retira el ventilador del gancho del soporte de montaje de techo. Fija el ensamblaje del ventilador en el soporte de montaje de techo usando 4 tornillos en el borde superior del soporte de montaje.

Alinea las ranuras tipo ojo de cerradura que están en la cubierta con las cabezas de los tornillos de montaje en los laterales del soporte de montaje. Levanta y gira el ensamblaje del ventilador hasta que las cabezas de los tornillos de montaje queden en el extremo angosto de las ranuras tipo ojo de cerradura.

**Paso 3.** Asegúrate de que los tornillos de montaje están apretados. (Fig. 13)

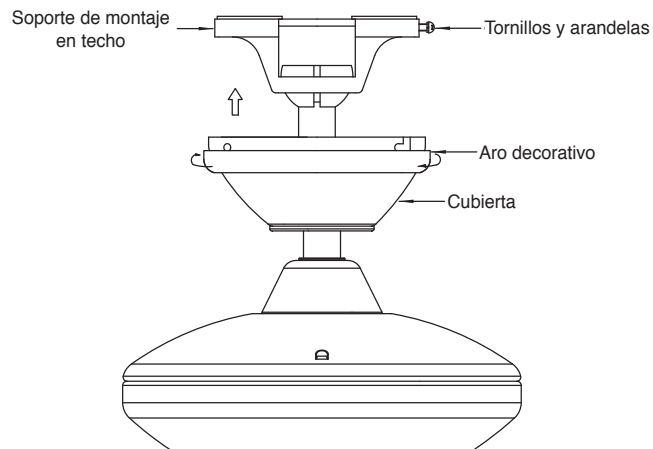


Fig.12

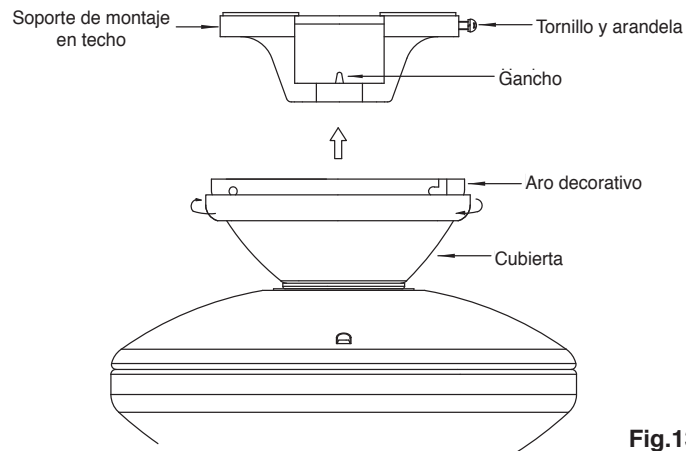


Fig.13

## CÓMO FIJAR LAS ASPAS DEL VENTILADOR

**PRECAUCIÓN:** Quita los bloques de envío de goma que están sujetos a la cara del motor. Estos bloques evitan que el motor se mueva durante el envío y DEBEN retirarse durante la instalación.

**Paso 1.** Fija el asa a su soporte con los tornillos y arandelas según se muestra en la Figura 14. Inserta el tornillo en el soporte. Repite para los dos tornillos restantes.

**Paso 2.** Asegúrate de que el asa esté derecha y aprieta todos los tornillos.

**Paso 3.** Ajusta el ensamblaje de las aspas al motor usando los tornillos de montaje «preinstalados» en el soporte del asa.

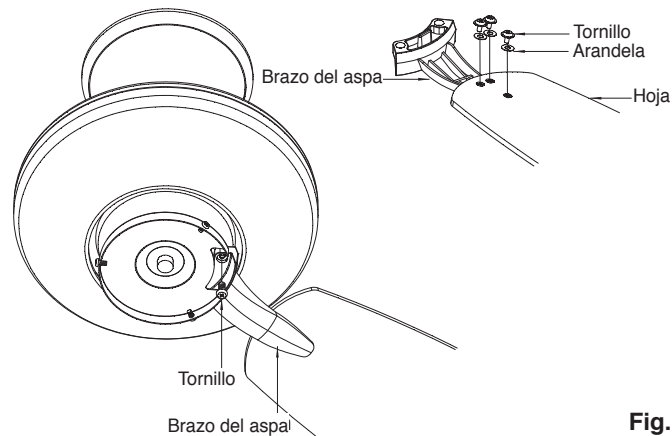


Fig.14

## CÓMO INSTALAR LA CAJA DEL INTERRUPTOR

**NOTA:** Antes de continuar la instalación, confirma que la electricidad aún se encuentre desconectada en el cortacircuitos principal o quitando el fusible correcto. Cortar el suministro de electricidad con el interruptor de pared no es suficiente para evitar una descarga eléctrica.

**Paso 1.** Sosteniendo la caja del interruptor debajo del ventilador de techo, aplica presión a los conectores cuadrados para cables para juntarlos. Uno desde el ventilador y otro desde la caja del interruptor. (Fig. 15)

**NOTA:** Estos conectores están codificados por color y SOLO se acoplarán cuando las tiras de color coincidan (estén alineadas).

**Paso 2.** Con cuidado mete todos los cables dentro de la caja del interruptor. Instala la caja del interruptor en el anillo de montaje con los tornillos incluidos. Asegúrate de que cada tornillo quede ajustado. (Fig. 15)

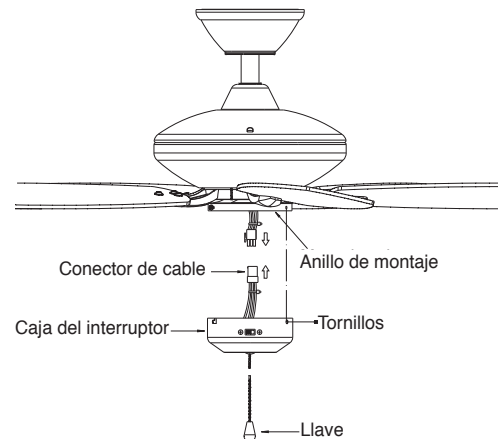


Fig.15

## INSTRUCCIONES DE USO

Reestablece la electricidad y chequea el funcionamiento de tu ventilador de techo. El interruptor de cadena controla las velocidades del ventilador de la siguiente manera:

**Paso 1.** El interruptor de cadena de 3 velocidades controla las velocidades del ventilador de la siguiente manera: 1 vez: Alto, 2 veces: Medio, 3 veces: Bajo y 4: Apagado.

**NOTA:** Para configurar las aspas del ventilador en reversa, el interruptor de reversa está ubicado en el lateral de la carcasa del interruptor.

**ADVERTENCIA:** No operar el interruptor de reversa mientras las aspas del ventilador estén en movimiento. El ventilador tiene que estar apagado y las aspas detenidas antes de invertir el sentido del movimiento.

Clima cálido - Hacia adelante (en sentido contrario a las manecillas del reloj) Un flujo de aire descendente surte un efecto refrescante, como se muestra en la Figura 16. Esto te permite configurar tu equipo de aire acondicionado a una temperatura más alta sin afectar tu comodidad.

Clima fresco - En reversa (en el sentido de las manecillas del reloj) Un flujo de aire hacia arriba desplaza el aire cálido del área del techo, como se muestra en la Figura 17. Esto te permite configurar la unidad de calefacción a una temperatura más baja sin afectar tu comodidad.

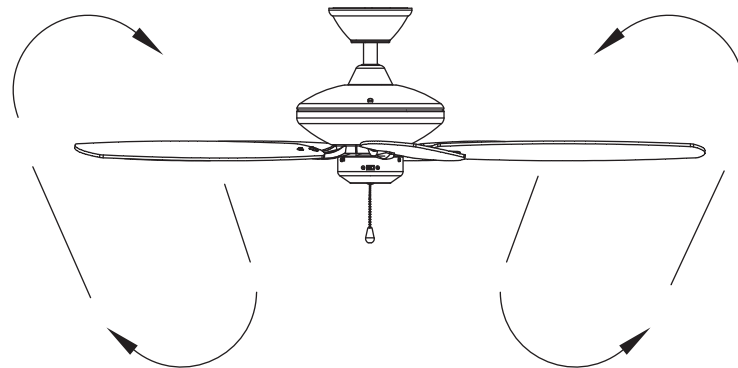


Fig. 16

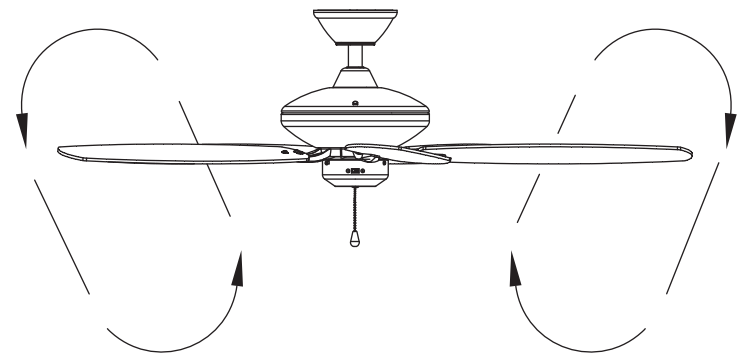


Fig. 17

# SOLUCIÓN DE PROBLEMAS

## Problema

## Solución

### El ventilador no enciende.

1. Verifica los fusibles o disyuntores principales y secundarios.
2. Revisa todas las conexiones eléctricas para garantizar un contacto adecuado.  
**PRECAUCIÓN:** Al verificar cualquier conexión eléctrica, asegúrate de que esté desactivada la electricidad principal.

### El ventilador hace ruido.

1. Asegúrate de que los tornillos de la carcasa del motor estén bien ajustados.
2. Asegúrate de que los tornillos que unen los soportes de las aspas al motor estén bien ajustados.
3. Asegura que las conexiones de tuerca de cable no friccionen unas con otras ni con la pared interior de la caja del interruptor.  
**PRECAUCIÓN:** Asegúrate de que esté desactivada la electricidad principal.
4. Permite un período de 24 horas de “adaptación”. La mayoría de los ruidos asociados con un ventilador nuevo desaparecen en ese período.
5. Si usas un kit de luces opcional, asegúrate de que los tornillos que sujetan el vidrio estén bien apretados. Asegúrate de que las bombillas no estén tocando ningún otro componente.
6. Algunos motores de ventiladores son sensibles a las señales de los controles de velocidad variable de estado sólido. Si has instalado este tipo de control, elige e instala otro tipo de control.
7. Asegúrate de que la cubierta esté a corta distancia del techo. No debe tocar el techo.

### El ventilador oscila.

1. Verifica que todas las aspas y los tornillos de sus brazos estén bien ajustados.
2. La mayoría de los problemas de oscilación del ventilador se debe a que las aspas no están al mismo nivel. Verifica este nivel seleccionando un punto en el cielo raso sobre la punta de una de las aspas. Mide esta distancia. Gira el ventilador hasta que la siguiente aspa quede en posición para medir. Repite el procedimiento para cada aspa. Las desviaciones de distancia no deben pasar de 1/8” (3.2 mm).
3. Usa el kit de compensación de aspas adjunto si sigues notando oscilación.
4. Si sigues notando oscilación, intercambiar dos aspas adyacentes (una al lado de la otra) puede redistribuir el peso y posiblemente mejorar el funcionamiento.

**ADVERTENCIA:** PARA REDUCIR EL RIESGO DE LESIONES PERSONALES Y PARA GARANTIZAR EL FUNCIONAMIENTO ADECUADO DE TU VENTILADOR DE TECHO, NUNCA FIJES LOS ENSAMBLAJES DE LAS ASPAS HASTA QUE SE HAYA INSTALADO EL VENTILADOR EN EL TECHO. NO DOBLAR LOS BRAZOS DE LAS ASPAS DURANTE LA INSTALACIÓN, COMPENSACIÓN O LIMPIEZA DEL VENTILADOR. NO INSERTES OBJETOS EXTRAÑOS ENTRE LAS ASPAS EN FUNCIONAMIENTO.

# GARANTÍA DE VENTILADOR DE TECHO Y PARED

## Garantía limitada de por vida para ventiladores de techo y pared Kichler®

Kichler Lighting LLC ("Kichler Lighting") garantiza al comprador consumidor original o al comprador comercial, según correspondiese, que los siguientes productos y componentes de ventiladores de techo y de pared catalogados no contienen defectos de material y mano de obra durante el período aplicable que se especifica a continuación.

## Motor de ventilador de techo y de pared o piezas relacionadas con el motor

Mientras el comprador consumidor original o el comprador comercial fuese dueño del ventilador de techo o de pared.

## Motores de luz LED y componentes eléctricos

Cinco (5) años a partir de la fecha de compra cuando el ventilador de techo o de pared que contiene el motor de la luz LED y los componentes eléctricos se instalan en una residencia unifamiliar por el comprador consumidor original. Para los compradores comerciales, el período de garantía es de tres (3) años a partir de la fecha de compra.

## Otras piezas

Un (1) año a partir de la fecha de compra del ventilador de techo o de pared. Las partes cubiertas incluyen, entre otros, aspas, kits de luces, varillas de bajada, interruptores, carcasa o acabado.

## Ventiladores de techo y pared con pedidos especiales (no catalogados)

Un (1) año a partir de la fecha de compra.

## Qué haremos

Kichler Lighting, a su exclusiva discreción, reparará o reemplazará, sin cargo alguno, durante el período de garantía aplicable, cualquier producto o componente (tal como se describe con anterioridad) que resultase defectuoso en cuanto a materiales o mano de obra en condiciones normales de instalación, uso y servicio. Si la reparación o el recambio no resultasen posibles, Kichler Lighting puede optar por reembolsar el precio de compra a cambio de la devolución del producto. Las piezas de recambio están sujetas a disponibilidad y pueden diferir de las suministradas de manera original. Estos son sus recursos exclusivos.

## Lo que no está cubierto

Lo siguiente no tiene otra garantía que la del fabricante:

- bombillas que no son LED suministradas, pero no fabricadas por Kichler Lighting;
- bombillas LED que no son de marca Kichler, suministradas por Kichler Lighting, pero que no son de su fabricación.

Esta garantía no cubre los acabados de metal pulido de los productos descritos con anterioridad. Esta garantía no cubre los daños que fuesen resultado del desgaste razonable, del voltaje fuera del rango del voltaje estándar norteamericano de 108 a 132 V CA (60 Hz), del mal uso (incluido el uso del producto para una aplicación no intencionada), del uso indebido, del embalaje inadecuado del producto devuelto a Kichler Lighting, de la negligencia y de la instalación, del mantenimiento o de la reparación inadecuados

o incorrectos, incluido el incumplimiento de las instrucciones de cuidado y limpieza correspondientes. Kichler Lighting recomienda utilizar un electricista profesional para toda la instalación y la reparación de sus productos.

## Qué debe hacer para obtener el servicio de garantía o las piezas de recambio

Se puede hacer un reclamo de garantía al devolver el producto al distribuidor o al minorista al que compró el producto con el comprobante de compra (recibo de venta original) y un reclamo por escrito que describa brevemente el defecto.

Si el distribuidor o el minorista no estuviesen disponibles, o si tuviese preguntas sobre esta garantía, póngase en contacto con nosotros por correo o en línea de la manera siguiente (incluya el número de modelo y la fecha de compra):

Kichler Lighting LLC

7711 East Pleasant Valley Rd

Cleveland, OH 44131

<http://www.kichler.com/customer-service/contact-us/.asp>

## Limitación de la duración de las garantías implícitas

Limitación de la duración de las garantías implícitas

Nota: algunos estados/provincias (incluido Quebec) no permiten limitaciones en cuanto a la duración de una garantía implícita, por lo que es posible que la limitación siguiente no se aplicase en su caso. EN LA MEDIDA EN QUE LO PERMITIESEN LAS LEYES, TODA GARANTÍA IMPLÍCITA, INCLUIDAS LAS GARANTÍAS IMPLÍCITAS DE COMERCIABILIDAD Y DE IDONEIDAD PARA UN FIN DETERMINADO, SE LIMITA AL PERÍODO REGLAMENTARIO O A LA DURACIÓN DE ESTA GARANTÍA, LO QUE FUESE MENOR.

## Limitación de los daños especiales, incidentales o consecuentes

Nota: algunos estados/provincias (incluido Quebec) no permiten la exclusión o la limitación de los daños especiales, incidentales o consecuentes, por lo que es posible que las limitaciones y las exclusiones que figuran a continuación no se aplicasen en su caso. Aviso a los residentes del estado de Nueva Jersey: las disposiciones de esta garantía, incluidas sus limitaciones, tienen por objeto aplicarse en el grado máximo que permitiesen las leyes del estado de Nueva Jersey. KICHLER LIGHTING NO SERÁ RESPONSABLE DE NINGÚN DAÑO ESPECIAL, INCIDENTAL O CONSECUENTE (INCLUIDOS LOS GASTOS DE MANO DE OBRA PARA REPARAR, REEMPLAZAR, INSTALAR O RETIRAR ESTE PRODUCTO), YA SEA QUE SURGIESE DEL INCUMPLIMIENTO DE ALGUNA GARANTÍA EXPRESA O IMPLÍCITA, DEL INCUMPLIMIENTO DE CONTRATO, ACUERDO EXTRA CONTRACTUAL O DE CUALQUIER OTRO MODO.

## Derechos adicionales

Esta garantía le otorga derechos legales específicos. También puede tener otros derechos que varían según el estado o la provincia.

Esta garantía no es transferible.

# KICHLER®

[www.kichler.com](http://www.kichler.com)

KICHLER LIGHTING®

7711 EAST PLEASANT VALLEY ROAD

CLEVELAND, OHIO 44131-8010

SERVICIO AL CLIENTE: 866.558.5706

DE LUNES A VIERNES, DE 8:00 A.M. A 5:00 P.M. (ESTE)